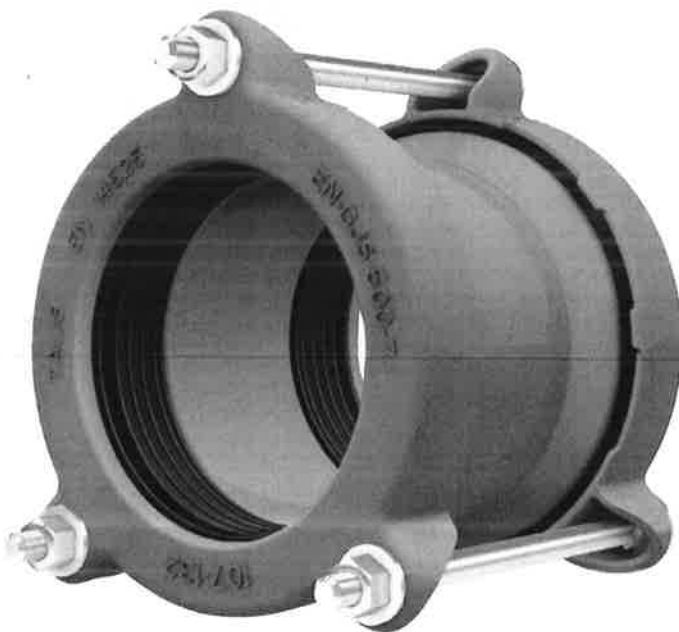


Product brochure  
Meteor Mechanical Couplings  
and Flange Adaptors

NEW



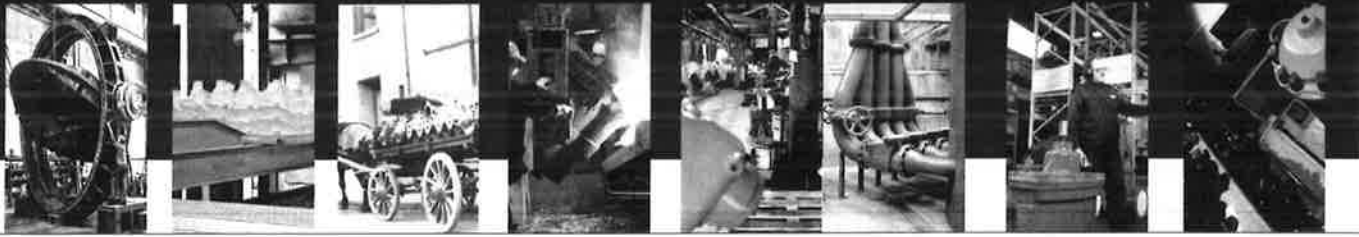
**BAYARD** RANGE

# WHO WE ARE

TALIS is a leading global provider of premium valves, hydrants and other solutions for water flow control.

With a varied range of products, we offer comprehensive solutions for the entire water cycle, from hydrants to butterfly valves, from knife-gate valves to needle valves. Our experience, innovative technology, global expertise and individual consultation process, form the basis for developing sustainable solutions for the efficient handling of the vital resource "water".

With over nine strong brands and 28 entities in Germany, France, Spain, Portugal, Italy, Great Britain, the Netherlands, Russia, Poland, Israel, China, the Middle East, Mexico, India, South Africa and Singapore, TALIS is the largest supplier of valve technology and first choice when it comes to water valves and services for the whole water cycle.



1871      1874      1880      1945      1949      1957      1974

Foundation of ERHARD (D)  
Water taps

Foundation of SCHMIEDING (D)  
Modern and market orientated solutions

Foundation of BAYARD (FR)  
Beer taps and water fountains

Foundation of LUDWIG FRISCHHUT (D)  
« in-house » foundry

Foundation of RAPHAEL (ISR)  
Control valves

Foundation of STRATE (D)  
Product and problem-solving competence  
Sewage industry

Foundation of BELGICAST (ES)  
Valve manufacturer for the naval industry

Foundation of ATLANTIC PLASTIC (UK)  
Plastic fittings



**CHRYSSAFIDIS**

# EASY INSTALLATION

## REDUCED STOCKHOLDING

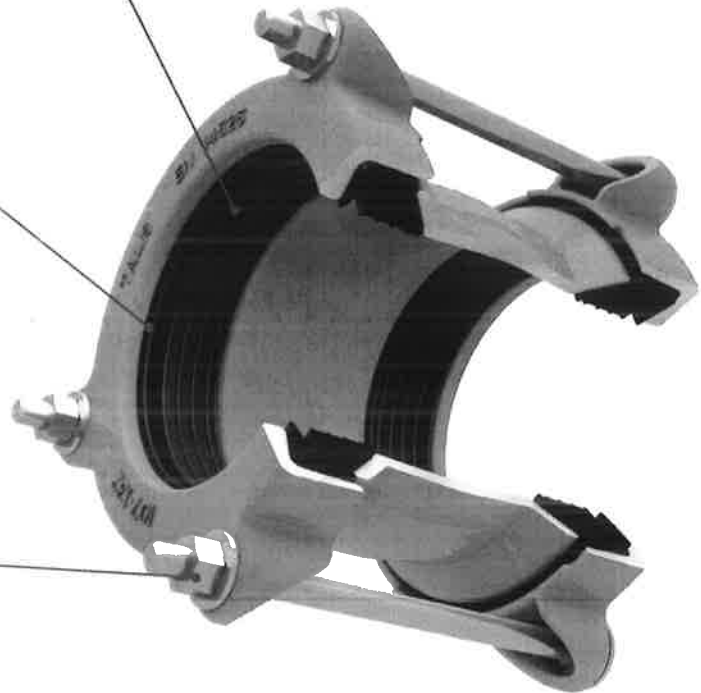
The Wide Tolerance design, on average 25mm covers most common pipe materials, including Steel, Ductile Iron, Cast Iron, PVC and Fibre-Cement. This dramatically decreases the amount of stock-keeping units necessary to cover a DN range, which has a positive effect on stock-holding and inventory turnover.

## ACCOMMODATES PIPE MOVEMENT

Up to  $\pm 6^\circ$  of angular deflection on each given end. This accommodates angularity between pipes caused by ground settlement during operation.

## QUICK & EASY INSTALLATION

The captive, non-rotating bolt head require only a torque wrench for installation. Both Meteor Couplings and Flange Adaptors offer, with an optimal amount of bolts and a low torque value of only 40Nm, a very fast, efficient installation on site.





# HIGHLY CORROSION RESISTANT

## HIGH CORROSION RESISTANCE

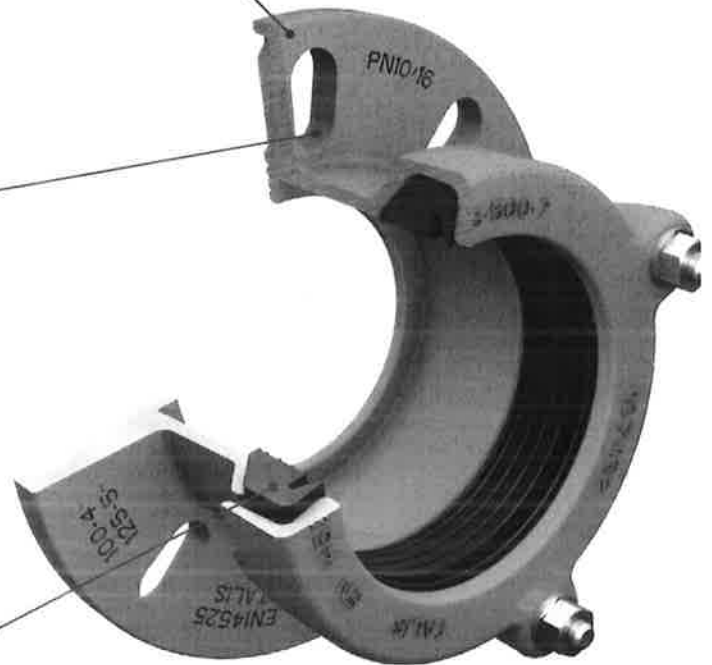
Standard coated in EN14901 approved Resicoat® Epoxy, with a minimum thickness of 250µm, providing excellent protection against corrosion and high resistance against impact, weathering, abrasion and chemicals. On top it offers good thermal stability and flexibility to deal with rough handling on site.

## CONNECTION FLEXIBILITY

All Meteor flanges are multi-drilled, including EN1092-1, ISO7005 (PN10/16) and ANSI150. Offering great flexibility on site when facing situations to connect flange adaptors to other flanged equipment with different flange drillings.

## EXCELLENT SEALING PERFORMANCE

The unique, patented Meteor gasket offers excellent sealing performance and supports a quick, reliable, low torque installation.



# RELIABLE LEAK TIGHTNESS



## UNIQUE PATENTED GASKET

The unique, patented, single piece Meteor gasket consists of 2 parts:

- 1 Base part of the gasket.
- 2 Smaller lip of the gasket.

In between is a recess (3), which is narrower towards its interior.

The smaller part of the gasket which is near to the recess allows a greater deformation for a smaller tightening torque.

After the closure of the gap of the recess, the deformation continues to adopt a form in which it comes to be supported on part of its base, before finally in the event of further deformation causing an expansion of the upper part.

## BENEFITS:

- L Low torque assembly (40Nm.) that is the same for all pipes, independent of the diameter of the pipe to be assembled.
- L As a result of the recess the quantity of rubber material is clearly reduced.
- L Highly reliable fluid-tight connection.



## MECHANICAL COUPLINGS AND FLANGE ADAPTORS

### METEOR

TALIS Meteor wide range unrestrained mechanical couplings and flange adaptors are suitable for joining a wide range of the most common pipe materials. Due to its variety, it is particularly suited to repair situations where the pipe material and exact outside diameter is not known in advance. Meteor has excellent corrosion protection with 250 micron coating and stainless steel bolts and leak tightness is guaranteed by an EPDM gasket with a patented design.

#### FUNCTIONS

For joining two pipes, or a pipe and a flanged pipe or fitting together

#### ADVANTAGES

- └ **Wide range.** Average 25mm range to cover most common pipe materials.
- └ **Excellent corrosion protection.** 250µm epoxy coating and stainless steel nuts and bolts.
- └ **Secure watertight seal.** Patented EPDM gasket.
- └ **International approval.** Meets EN 14525, and has drinking water approved components to WRAS, ACS, KIWA and KTW W270 standards.

DI

Ductile Iron

CI

Cast Iron

STL

Steel

AC

Fibre  
Cement

PVC

Poly Vinyl  
Chloride

#### APPLICATIONS

Water  
treatmentWater  
transmissionWater  
distribution  
networkDams and  
hydro power

Irrigation

Industrial  
water  
applications

#### USES

##### └ Joining water pipes

- Ductile iron, cast iron, PVC, steel, GRP or fibre cement
- DN40-DN300
- Multi-drilled flange connection, including EN1092-1, ISO7005 (PN10/16) and ANSI150

Ideal for repair situations





## CHARACTERISTICS

- L **Wide tolerance** - The Wide Tolerance design, on average 25mm covers most common pipe materials, including Steel, Ductile Iron, Cast Iron, PVC and Fibre-Cement. This decreases the amount of stock-keeping units necessary to cover a DN range, reducing stock holding
- L **High resistance to corrosion** - Standard coated in EN14901 approved Resicoat® Epoxy, with a minimum thickness of 250µm, providing excellent protection against corrosion and high resistance against impact, weathering, abrasion and chemicals. Stainless steel bolting also offers high corrosion protection to keep the product in good condition
- L **Reliable leak-tight sealing** - The unique, patented Meteor gasket allows a low torque installation, and guarantees an excellent seal
- L **Multi-drilled flanges** - drilling to EN1092-1, ISO7005 (PN10/16) and ANSI150 makes connection to other flanged equipment on site simple without having to order special products
- L **No special tools needed** - only a torque wrench is required due to the captive non-rotating bolt heads. Installation is fast and efficient on site with an optimised number of bolts and a low torque requirement of only 40N m
- L **Accommodates pipe movement** - Up to ±6° angular deflection on each socket accommodates angularity between pipes caused by ground settlement during operation
- L **Standards compliance** - Meets EN 14525 and various drinking water approvals



## APPROVALS

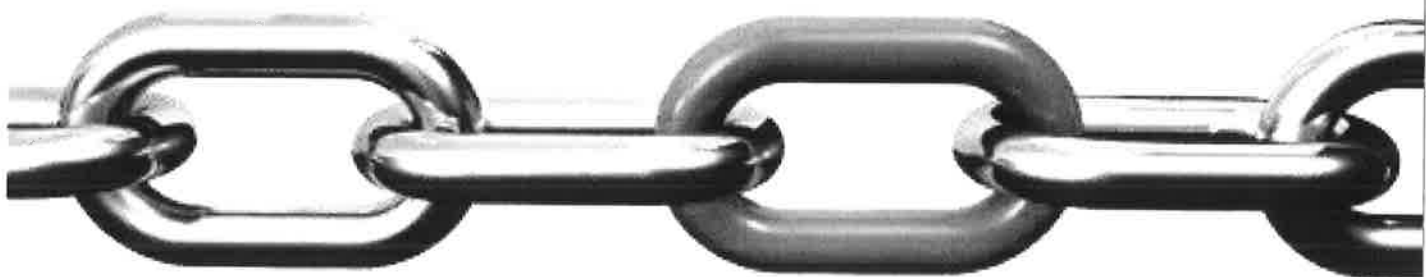
- L ACS WRAS, KIWA and KTW W270 component approval.

## OPTIONS/VARIANTS

- L Flange adaptors and straight couplings in different sizes.

## TECHNICAL DATA

- L **Size range** - DN40 - DN300 (OD44-361mm)
- L **Nominal Pressure (PN)**: Working 16 bar
- L **Material (Body and end rings)**: Ductile Iron EN-GJS-500-7, with min. 250 micron epoxy coating
- L **Material (Bolts and washers)**: Stainless Steel A2/A4
- L **Seals**: EPDM



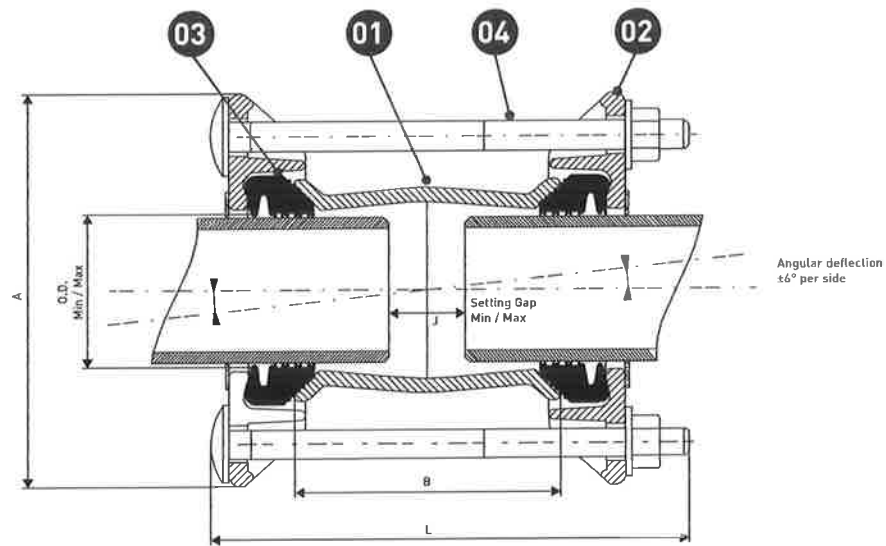
The technical data and performance may be modified without prior notice depending on the technical advances.



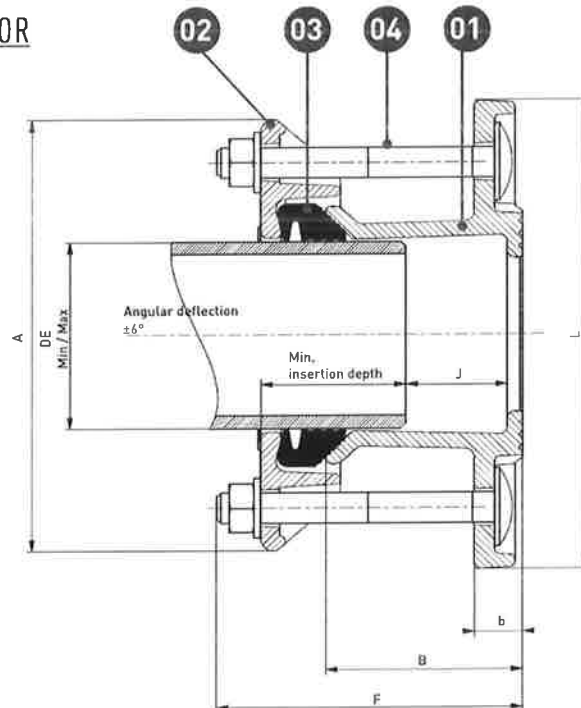
## MATERIALS & DIMENSIONS

Item	Description	Material	Standard
1	Body	Ductile iron EN-GJS-500-7	EN 1563
2	Counter flange	Ductile iron EN-GJS-500-7	EN 1563
3	Seal	EPDM	EN 681-1
4	Fixings	Stainless Steel A2 (nut A4-80 Gitmo 605)	DIN603 / ISO4032

## COUPLING



## FLANGE ADAPTOR



The technical data and performance may be modified without prior notice depending on the technical advances.





CHRYSSAFIDIS

## DIMENSIONS

METEOR

## COUPLING

Code	DN	OD min	OD max	A	F	B	J min	J max	Bolts	weight (kg)
MEC00002TS	40	44	59	155	187	104	5	40	2-M12x180	2.5
MEC00003TS	40/50	56	74	175	187	104	5	40	2-M12x180	3.1
MEC00004TS	60/65	63	85	185	197	104	5	40	3-M12x190	3.7
MEC00005TS	80	85	107	210	197	104	5	40	3-M12x190	4.6
MEC00006TS	100	107	132	245	207	108	9	40	3-M12x200	6.3
MEC00007TS	125	125	148	260	207	109	9	40	3-M12x200	6.4
MEC00008TS	125	132	158	260	207	109	13	40	3-M12x200	6.8
MEC00009TS	150	157	184	300	207	112	13	40	4-M12x200	8.8
MEC00010TS	200	180	207	320	247	137	13	50	4-M12x240	10.5
MEC00011TS	200	200	227	350	247	137	13	50	4-M12x240	13.2
MEC00012TS	200	218	245	370	247	137	13	50	4-M12x240	14.4
MEC00013TS	250	248	275	400	247	137	18	50	6-M12x240	16.4
MEC00014TS	250	271	297	420	247	137	18	50	6-M12x240	17.2
MEC00015TS	250	292	318	440	267	163	18	75	6-M12x260	19.3
MEC00016TS	300	311	336	455	297	185	22	75	6-M12x290	22.1
MEC00017TS	300	334	361	485	297	185	22	75	6-M12x290	24.0

## FLANGE ADAPTOR

Code	DN	Drilling		OD min	OD max	ØL	A	F	B	b	j	Bolts	weight (kg)
		ISO PN10/16	ANSI 150										
FLA00002TS	40/50	40 and 50	2"	44	59	170	155	121	78	19	40	2xTRCC M12x110	2.7
FLA00003TS	50/65	50 and 65	2" and 2 1/2"	56	74	186	175	121	78	19	40	2xTRCC M12x110	3.4
FLA00004TS	60/65	60 and 65	2 1/2"	63	85	202	185	131	78	19	40	2xTRCC M12x120	3.9
FLA00005TS	80	80 and 100	3" and 4"	85	107	226	210	131	78	19	40	3xTRCC M12x120	4.9
FLA00006TS	100	100 and 125	4" and 5"	107	132	262	245	131	80	19	40	3xTRCC M12x120	6.4
FLA00007TS	125	125 and 150	5" and 6"	125	148	285	260	131	80	19	40	3xTRCC M12x120	6.5
FLA00008TS	125	125 and 150	5" and 6"	132	158	285	260	131	80	19	40	3xTRCC M12x120	6.8
FLA00009TS	150	150	6"	157	184	312	300	131	82	19	40	4xTRCC M12x120	8.3
FLA00010TS	200	200	8"	180	207	345	320	144	89.5	20	40	4xTRCC M12x150	11.0
FLA00011TS	200	200	8"	200	227	365	350	144	89.5	20	40	4xTRCC M12x130	12.7
FLA00012TS	200	200	8"	218	245	380	370	235.5	160	20	90	4xTRCC M12x200	15.8
FLA00013TS	250	250	10"	248	275	418	400	155	100	22	50	6xTRCC M12x200	15.4
FLA00014TS	250	250	10"	271	297	433	420	215	160	22	90	6xTRCC M12x200	19.2
FLA00015TS	300	300	10"	292	318	455	440	215	160	24.5	90	6xTRCC M12x200	22.7
FLA00016TS	300	300	12"	311	336	488	455	215	160	24.5	55	6xTRCC M12x200	23.5
FLA00017TS	300	300	12"	334	361	500	485	215	160	24.5	90	6xTRCC M12x200	25.7

The technical data and performance may be modified without prior notice depending on the technical advances.



[www.talis-group.com](http://www.talis-group.com)

TALIS is the undisputed Number One for water transport and water flow control. TALIS has the best solutions available in the fields of water and energy management as well as for industrial and communal applications. We have numerous products for comprehensive solutions for the whole water cycle – from hydrants, butterfly valves and knife gate valves through to needle valves. Our experience, innovative technology, global expertise and individual consultation processes form the basis for developing long-term solutions for the efficient treatment of the vitally important resource “water”.



**TALIS Management Holding**  
Postfach 1280  
D-89502 Heidenheim  
Meeboldstrasse 22  
D-89522 Heidenheim  
**PHONE** +49 7321 320-0  
**FAX** +49 7321 320-491  
**E-MAIL** [info@talis-group.com](mailto:info@talis-group.com)  
**INTERNET** [www.talis-group.com](http://www.talis-group.com)

JULY 2019

Note: Information and specifications may be changed without notification at any time.  
Copyright: No copying without express written permission of TALIS  
TALIS is a Registered Trademark.

