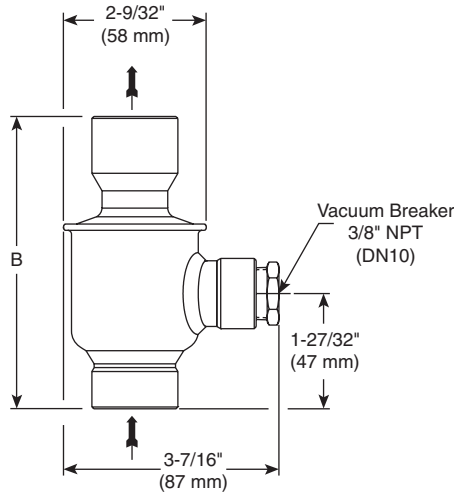




Stainless Steel Thermostatic Air Vent/Vacuum Breaker

For Pressures to 150 psig (10 bar)...Capacities to 55 scfm



TAVB-3 shown



The Armstrong TAVB is a combination thermostatic air vent/vacuum breaker that is ideally suited for steam-filled vessels with modulating controls. The TAVB will vent air and other non-condensables from vessels such as shell and tube heat exchangers, jacketed kettles and steam coils during their operation. It will also break the vacuum that forms during steam control modulation.

This balanced pressure air vent responds to the pressure-temperature curve of steam, and the soft-seated vacuum breaker responds to 2" H₂O of vacuum.

Features

- Maximum allowable pressure: 300 psig (20 bar)
- Maximum allowable temperature: 365°F (185°C)
- Maximum working pressure: 150 psig (10 bar)
- All stainless steel welded construction
- NPT connections

Armstrong thermostatic air vents should be installed at the highest point on a steam chamber, with the air vent located above the chamber. This will minimize the possibility of any liquid carryover, and air can be vented to atmosphere without a drain line.

For a fully detailed certified drawing, refer to CD #1260.

Physical Data

Model No.		TAVB-2		TAVB-3	
		in	mm	in	mm
Pipe Connections	Thermostatic Air Vent	1/2	15	3/4	20
	Vacuum Breaker	3/8	9.5	3/8	9.5
"A" (Diameter)		2-1/4	57	2-1/4	57
"B" (Height)		4-5/8	117	4-11/16	119
"C" (∅ Inlet to Face of Vacuum Breaker)		2-1/8	54	2-1/8	54
Weight lb (kg)		1 (0.45)		1-1/4 (0.57)	
Maximum Allowable Pressure (Vessel Design)		300 psig @ 365°F (20 bar @ 185°C)			
Maximum Operating Pressure		150 psi (10 bar)			
Discharge Orifice Size		3/16"			

List of Materials

Name of Part	Material
Body	304-L Stainless steel
Connections	304 Stainless steel
Balanced Pressure Thermostatic Air Vent	Stainless steel and bronze with phosphor-bronze bellows, entire unit caged in stainless steel
Gasket	Copper clad non-asbestos
Vacuum Breaker Body	303 Stainless steel
Valve	Stainless steel
Spring	302 Stainless steel
"O" Ring	EPDM
Screen	Stainless steel

Designs, materials, weights and performance ratings are approximate and subject to change without notice. Visit armstronginternational.com for up-to-date information.