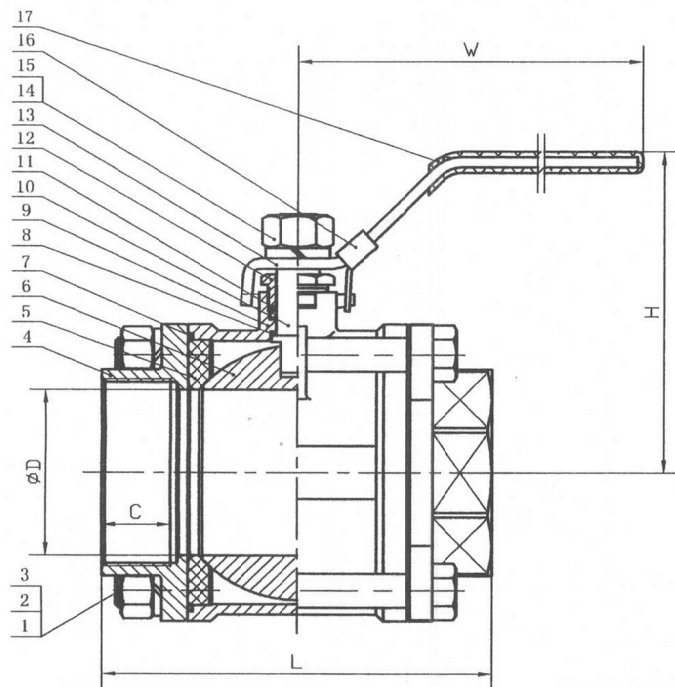
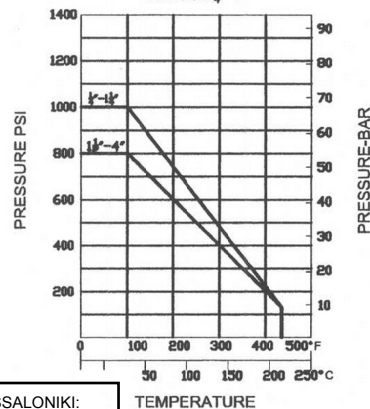


1/4~4" Q₃₀ 11F-1000R

ΣΦΑΙΡΙΚΟΙ ΚΡΟΥΝΟΙ 3-ΤΕΜ
ΑΝΟΞΕΙΑ. ΟΛ. ΔΙΑΤ. ΒΙΔΩΤΟΙ



PRESSURE-TEMPERATURE RATING 1/4"-4"



Main Technical Parameter			
Normal pressure	1000	PSi	
Test pressure	Shell test pressure	10.5	MPa
	Tightness test	7.7	
	Gas-Tightness test	0.6	
Max working temperature	-20~160	°C	
Applicable medium: water, gas, oil, acid			

SIZE	ØD	L	H	W	C
1/4	10.5	55	42	102	11
3/8	10.5	55	42	102	11
1/2	15	65	58	101	14
3/4	20	76.5	63	101	15
1	24	86	76	137	18
1 1/4	32	98	80	150	20
1 1/2	38	114	93	175	21
2	48	132	110	175	23
2 1/2	64	164	124	215	31
3	78	182	151	235	32
4	98	235	167	313	47

6304xxC 1/1



No.	Parts name	Material	No.	Parts name	Material
1	Bolt	ASTM A194-8	10	Stem	ASTM A276 316
2	Spring washer	ASTM A194-8	11	Stem gasket	PTFE
3	Nut	ASTM A194-8	12	Packing gland	ASTM A276 304
4	End cap	ASTM A351 CF8M	13	Handle	ASTM A276 304
5	Seat	PTFE	14	Handle washer	ASTM A276 304
6	Ball	ASTM A276 316	15	Handle nut	ASTM A276 304
7	Gasket	PTFE	16	Handle lock	ASTM A276 304
8	Thrust washer	PTFE	17	Handle cover	PVC
9	Body	ASTM A351 CF8M	18		

CHRYSSAFIDIS S.A./ ATHENS: 3 AGRINIOU STR, TAVROS - (+30) 210 4836315-20 / THESSALONIKI: DA12A STR, OT32, BIPE SINDOU - (+30) 2310 754681-4 / www.chryssafidis.com / sales@chryssafidis.gr

TECHNICAL SPECIFICATION

- 1 Basic design and manufacture according to ANSI B16.34;
- 2 Adjustable packing gland, Bottom-loaded blow-out proof stem;
- 3 Rc, Rp & G threaded ends complied with BS 21/2779, DIN 259/2999, ISO 228-1, AS1722.1/1722.2 are upon request;
- 4 Inspection and tested according to API598.

MARKING				REVISION				DESIGNATION			
设计	校对	审核	工艺	更改文件号	签字	日期		1/4~4" Q ₃₀ 11F-1000R 3PC THREADED BALL VALVE ASSEMBLY DIAGRAM			
								3PC THREADED BALL VALVE			
								1/4~4" Q ₃₀ 11F-1000R			
								共 页 第 页			