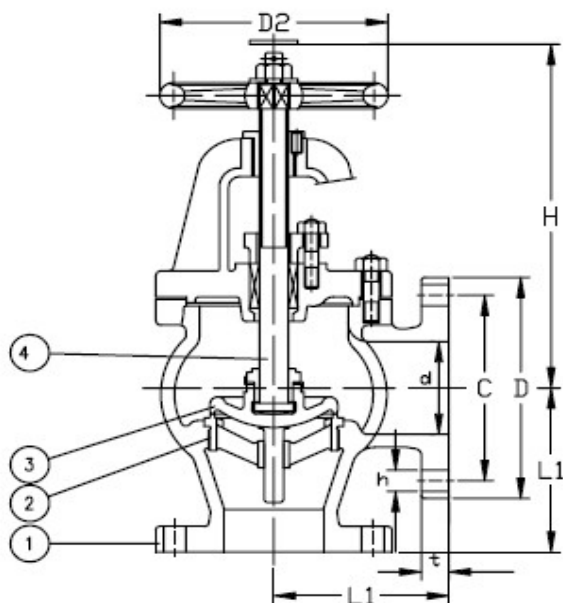


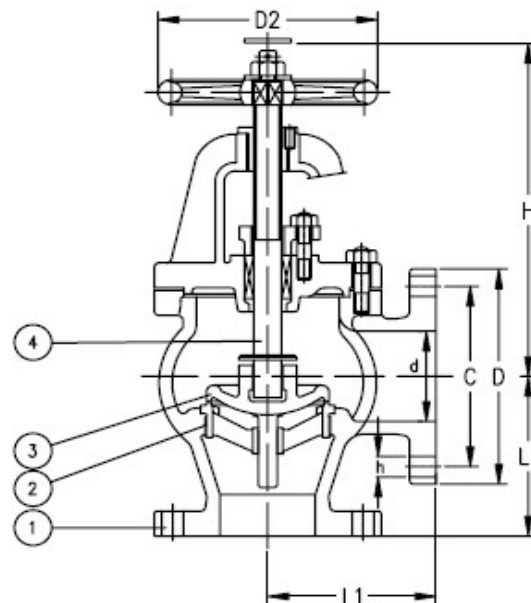
SERIES F7310-JIS16K**SERIES F7378-JIS16K****Cast Iron Angle Valve****Cast Iron Angle Valve(SDNR)**

Manufactured in accordance to JIS F7400

Flanges as per JIS B2220-16K



Series F7310



Series F7378-SDNR

Part Nr.	Material	Code
1- Body	Cast Iron	FC200
2- Seat	SUS/Bronze	SCS2/BC6
3- Disc	SUS/Bronze	SCS2/BC6
4- Stem	SUS/Brass	SUS403/C3771BD

Nominal	Test Pressure MPa[kgf/cm ²]	
Diameter	Body	Seat
50 to 200	3.2[33]	2.38[24.2]

Size	L1	D	C	NO	h	t	H	D2	KG
50	120	155	120	8	19	20	255	160	18
65	130	175	140	8	19	22	270	200	25
80	150	200	160	8	23	24	295	224	35.7
100	170	225	185	8	23	26	330	250	49.2
125	200	270	225	8	25	26	390	315	76.1
150	225	305	260	12	25	28	435	355	103
200	250	350	305	12	25	30	540	450	155