

SERIES F7306-JIS5K

SERIES F7354-JIS5K

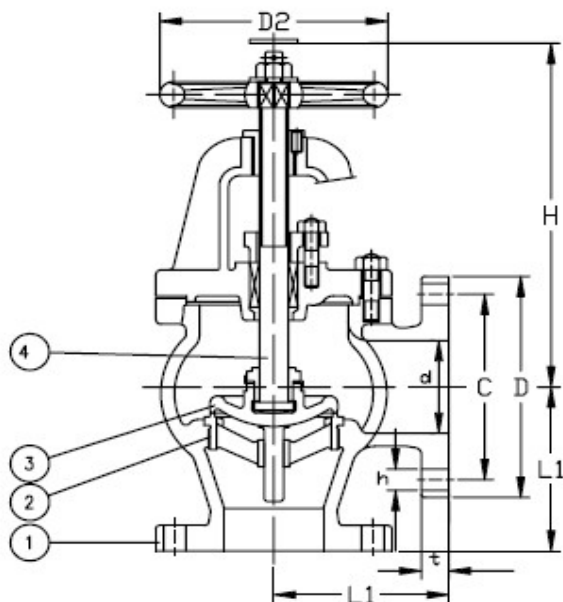
Cast Iron Angle Valve

Cast Iron Angle Valve(SDNR)

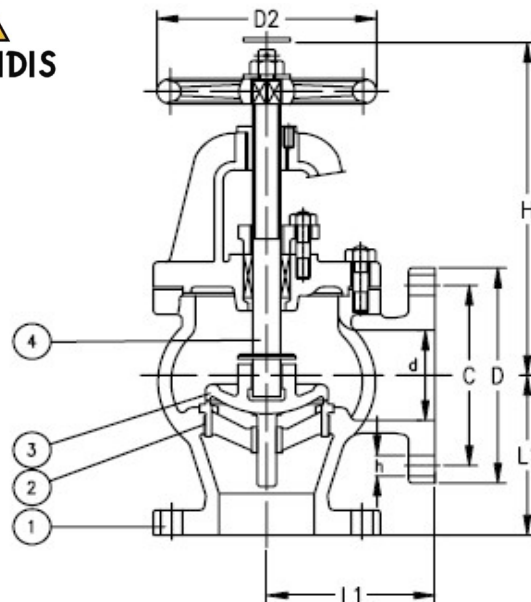
Manufactured in accordance to JIS F7400



Flanges as per JIS B2220-5K



Series F7306



Series F7354-SDNR

Part Nr.	Material	Code
1- Body	Cast Iron	FC200
2- Seat	SUS/Bronze	SCS2/BC6
3- Disc	SUS/Bronze	SCS2/BC6
4- Stem	SUS/Brass	SUS403/C3771BD

Nominal Diameter	Test Pressure MPa[kgf/cm2]	
	Body	Seat
300 or less	1.03[10.5]	0.76[7.7]
350and400	0.88[9]	0.65[6.6]

Size	L1	D	C	NO	h	t	H	D2	KG
50	100	130	105	4	15	16	240	160	12.9
65	115	155	130	4	15	18	255	180	18.2
80	130	180	145	4	19	18	265	180	23.4
100	150	200	165	8	19	20	310	224	33.7
125	170	235	200	8	19	20	330	250	46.2
150	190	265	230	8	19	22	380	280	63.4
200	220	320	280	8	23	24	450	315	105
250	275	385	345	12	23	26	540	355	166
300	310	430	390	12	23	28	610	400	243
350	360	480	435	12	25	30	690	500	327
400	395	540	495	16	25	30	770	630	459