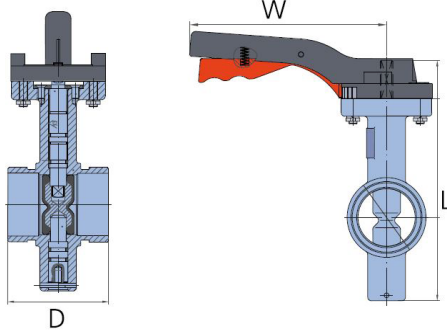




TF-BFV-G

Grooved Butterfly Valves

Available diameters: ND50 to ND300	Design pressure: NP16
MAIN FEATURES	APPLIED STANDARDS
Sealing 100%. Long neck for insulated instalations. Grooved ends for a quick and easy installation. Bidirectional flow and closing. Vulcanized disc to avoid corrosion. Working temperature between -10°C and 90°C.	Hydrostatic tests according to ISO 5208. Top flange: ISO 5211.



ND	L	D	W	Kgs.	Torque (N·m)
50	205	82.4	206	2.6	20
65	216	96.8	206	3.1	22
80	229.5	96.8	206	3.5	24
100	270	115.85	206	5.4	49
125	307.7	147.6	275	8.3	160
150	346	147.6	275	10.5	199
200	406	133.4	275	16.7	285
250	473.1	158.8	504	27.4	519
300	266.2	163.6	504	37.2	674

No.	Denomination	Material	Optional
1	Body	Ductile Iron GJS400	
2	Disc	Ductile Iron GJS400 / EPDM	Ductile Iron GJS400 / NBR
3	Shaft	S.S. AISI 420	
	Bolts	S.S. A2	
	Painting RAL 5017	Epoxi 250 µm	

