

Product Info

ΔΙΚΛΕΙΔΕΣ ΠΕΤΑΛΟΥΔΑΣ ΜΕ ΑΥΛΑΤΩΤΑ ΑΚΡΑ

**Medium Capability:**

Freshwater, Sea water, Air, steam, food, medicine and kinds of oil, acid, alkali, salt.

Feature:

Long service life with reliable seal and without frequent maintenance. Butterfly valve have flow characteristics three times better than globe valve, and about 75% of a same size gate valve. Butterfly valve can be used for on/off service and throttling, They are superior in Multi-function as compared to gate or globe valves. Butterfly valve can be widely used in chemical field due to trim options and choice of elastomeric liner .

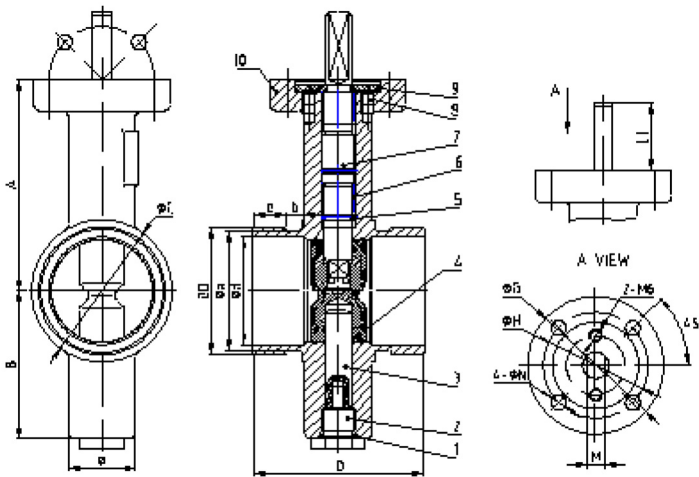
Butterfly valve have feature of light in weight and small in size, for example, weight and size of a 10" butterfly valve are 1/9 and 1/6 of a 10" gate valve. So butterfly valve is easy to install and save cost of piping system. Butterfly valve with resilient seat design can be bubble tight as compared to metal seated gate or globe valves. Butterfly valves offer 90-degree open to close. Butterfly valve is approximate 35-40% cost of a same size gate valve. Also low installed cost than gate valve.

Properly installed butterfly valves are self cleaning and are less susceptible to failure due to trash material in pipe.



Item	Qty	Part Name
1	1	O Ring 2
2	1	screw end
3	1	lower stem
4	1	Disc
5	2	O Ring 1
6	2	Bushiing
7	1	Upper stem
8	2	Bolt
9	1	Plate
10		Body

Structure and Parts List for Groove End Butterfly Valve
Nominal Pressure: PN10/16



Body	DISC	Stem	Bushing	Seat
Material			Material	Working Temperature (°C)
C.I	DI	416SS	Lubricative Bronze	NR -20°C-+85°C
D.I	WCB	431SS	Macromolecule +PTFE	HYPALON -18°C-+135°C
WCB	AL-Brz	316SS	316SS+PTFE	EPDM -30°C-+110°C
AL-Brz	Stainless Steel			NEOPRENE -7°C-+93°C
StainlessSteel				NBR -12°C-+82°C
				WRR -10°C-+50°C
				VITON -23°C-+150°C
				HRR -20°C-+150°C
				PTFE +10°C-+150°C

Outline Dimensions and Weight for Groove End Butterfly Valve DN50-DN300

		A	B	φC	D	OD	φG	φH	φN
Inch	mm								
2	50	100	70	67	82.4	60.3	65	50	7
2 1/2	65	106	75	80	96.8	73.0	65	50	7
3	80	112.5	82	97	96.8	88.9	65	50	7
4	100	135	100	123	115.85	114.3	90	70	10
5	125	148.7	119	151	147.6	141.3	90	70	10
6	150	176	130	180	147.6	168.3	90	70	10
8	200	204	162	231	133.4	219.1	125	102	12
10	250	228.1	200	284	158.8	273.1	125	102	12
12	300	266.2	22, 4< o;p,>	335	163.6	323.9	140	102	12

Valve Size		L1	a	b	e	d	φ	M	Weight
Inch	mm								Kgs.
2	50	32	15.88	7.93	57.15	50.8	30	8.86	1.75
2 1/2	65	32	15.88	7.93	69.09	63.5	32	8.86	2.2
3	80	32	15.88	7.93	84.94	76.2	32	8.86	2.7
4	100	32	15.88	9.53	110.08	99.5	38	11.1	4.5
5	125	32	15.88	9.53	137.03	128.0	44	12.7	7.6
6	150	32	15.88	9.53	163.96	152.4	47	12.7	9.6
8	200	45	19.1	11.1	214.40	203.2	53	15.88	14.7
10	250	45	19.1	12.7	268.27	253.0	60	20.62	24.7
12	300	45	19.1	12.7	318.29	303.0	64	22.1	34.5

Note: The Groove Dimensions above mentioned conform ANSI/AWWA C606. Top mounting conform

ISSO5211. The groove dimensions can also meet standards from other countries.