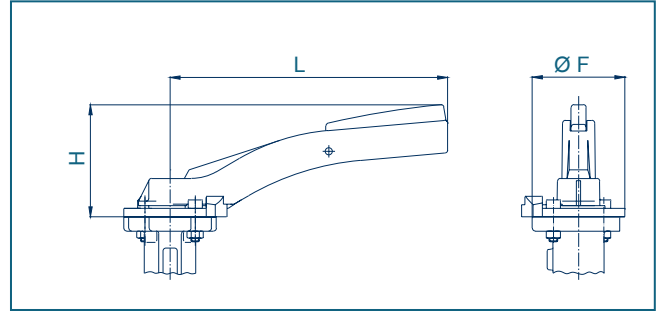


MANUAL OPERATION



Handlever (Aluminium Version). Adjustable in 15° steps.

HAND LEVER (ALUMINIUM)

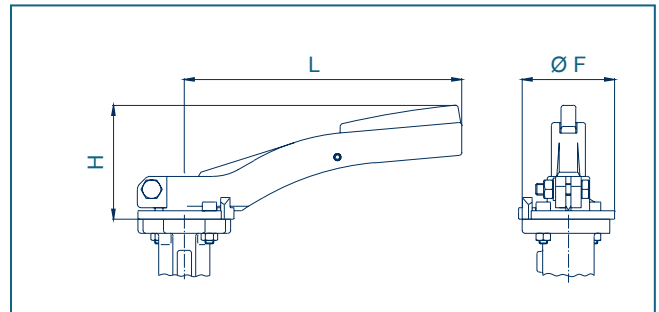


Lever	F	H	L	Weight [kgs]
Size I	54	74	165	0,3
Size II	65	80	195	0,4
Size III	90	100	276	0,6



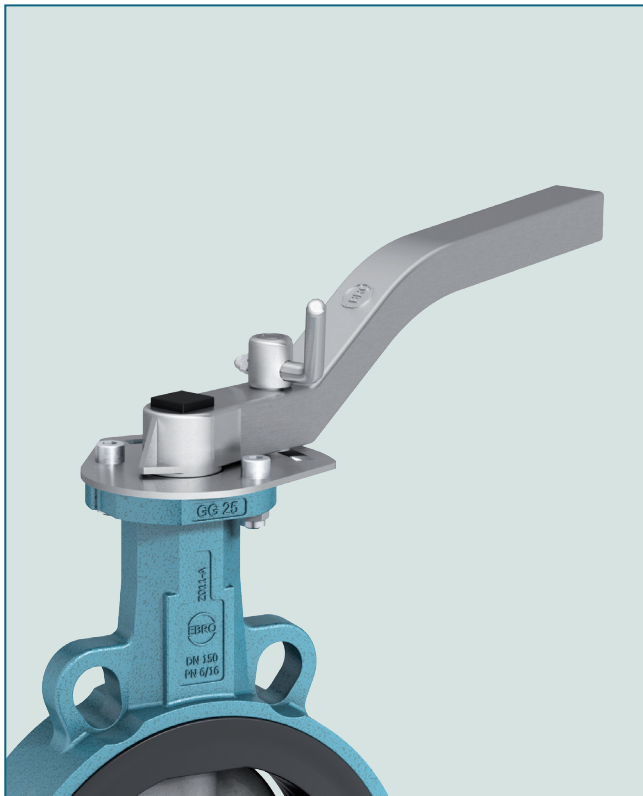
Stainless Steel handlever with open/close stops.

HAND LEVER (STAINLESS STEEL)



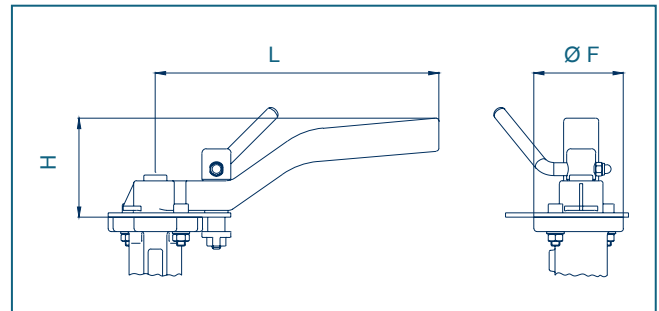
Lever	F	H	L	Weight [kgs]
Size I	54	69	155	0,6
Size II	65	80	195	0,8
Size III	90	100	276	1,4

MANUAL OPERATION



Lever for stepless adjustment (Aluminium).

STEPLESS ADJUSTING LEVER

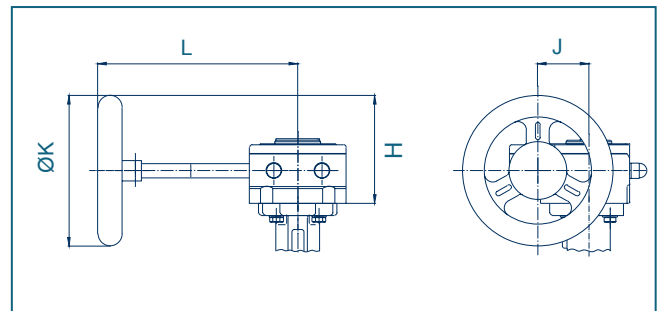


Lever	F	H	L	Weight [kgs]
Size I	54	58	155	0,5
Size II	65	70	195	0,6
Size III	90	90	276	1,1
Size IV	125	74	350	2,3
Size V	150	87	350	2,9



Gear box with self locking mechanism

GEAR BOX



Gear	H	J	K	L	Weight [kgs]
Size I	90	43	125	166	1,1
Size II	107	43	160	190	1,3
Size III	153	50	250	267	3,1
Size IV	240	80	400	376	8,9
Size V	290	80	500	396	9,5
Size VI	225	90	350	318	16,2
Size VII	279	123	457	405	30,7
Size VIII	355	154	610	466	45,2
Size IX	305	211	500	447	49,0
Size X	309	263	500	500	74,0