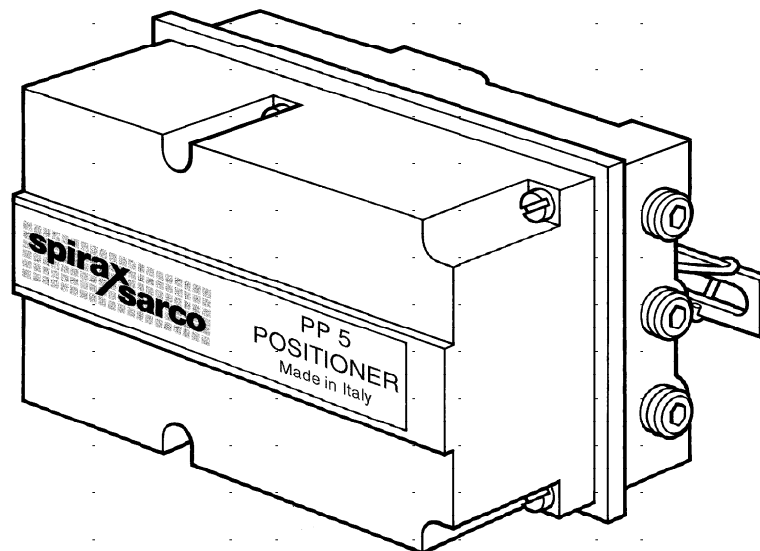


ΠΝΕΥΜΑΤΙΚΟΙ ΡΥΘΜΙΣΤΕΣ ΘΕΣΗΣ

PP5 Pneumatic/Pneumatic Positioner



Description

The PP5 positioner is a single acting unit, requiring a 0.2 to 1 bar signal and is for use with linear pneumatic actuators. The positioner compares the output signal from a pneumatic controller (or transducer) with the valve position feedback, and varies the pneumatic output signal to the actuator accordingly. The valve position is, therefore, guaranteed for any controller output signal and the effects of varying valve differential pressure, stem friction and diaphragm hysteresis are overcome. The positioners can also be used where the controller output signals are of too low a magnitude to be used directly with high pressure actuators. A mounting kit is supplied with each positioner for mounting to either columns or yoke in accordance with NAMUR standard. Safety covers are provided.

Applications

The positioners can be used with the following actuators:

Actuator types	PN5000 series (see TI-P357-03) PN6000 series (see TI-P357-02)
----------------	--

Technical data

Input signal range	0.2 bar g to 1 bar g
Output signal range	0 to 100% supply air pressure
Supply air pressure	1.4 bar g to 6 bar g
Stroke range	10mm to 100mm
Amplification	Adjustable
Enclosure rating	IP54
Air consumption	0.7 m ³ /h at 6 bar
Pneumatic connections	¼" NPT
Ambient conditions	-20°C to +80°C

Materials

Body and cover	Die cast aluminium with anti-corrosive paint
----------------	--

Accessories

A fixing kit is available to mount an air filter/regulator to the pneumatic actuator.

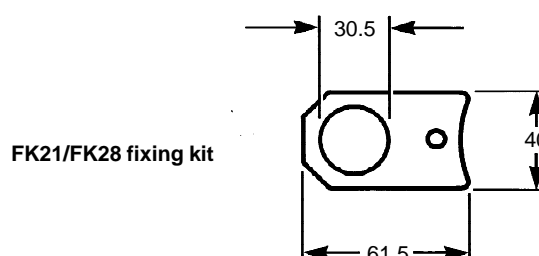
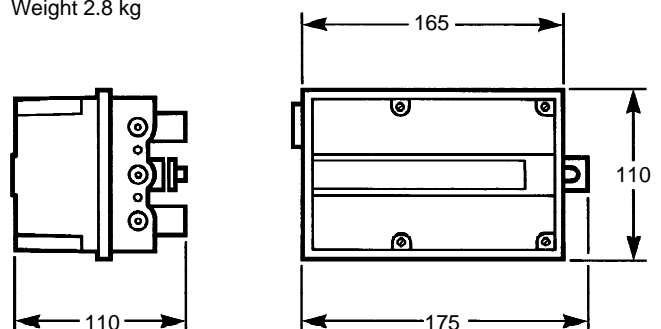
Fixing kit	Actuator type
FK21	PN5100 to PN5400
FK28	PN5500 or PN5600

How to specify

1 - PP5 Pneumatic/pneumatic positioner.

Dimensions (approximate in millimetres)

Weight 2.8 kg



FK21/FK28 fixing kit



CHRYSSAFIDIS

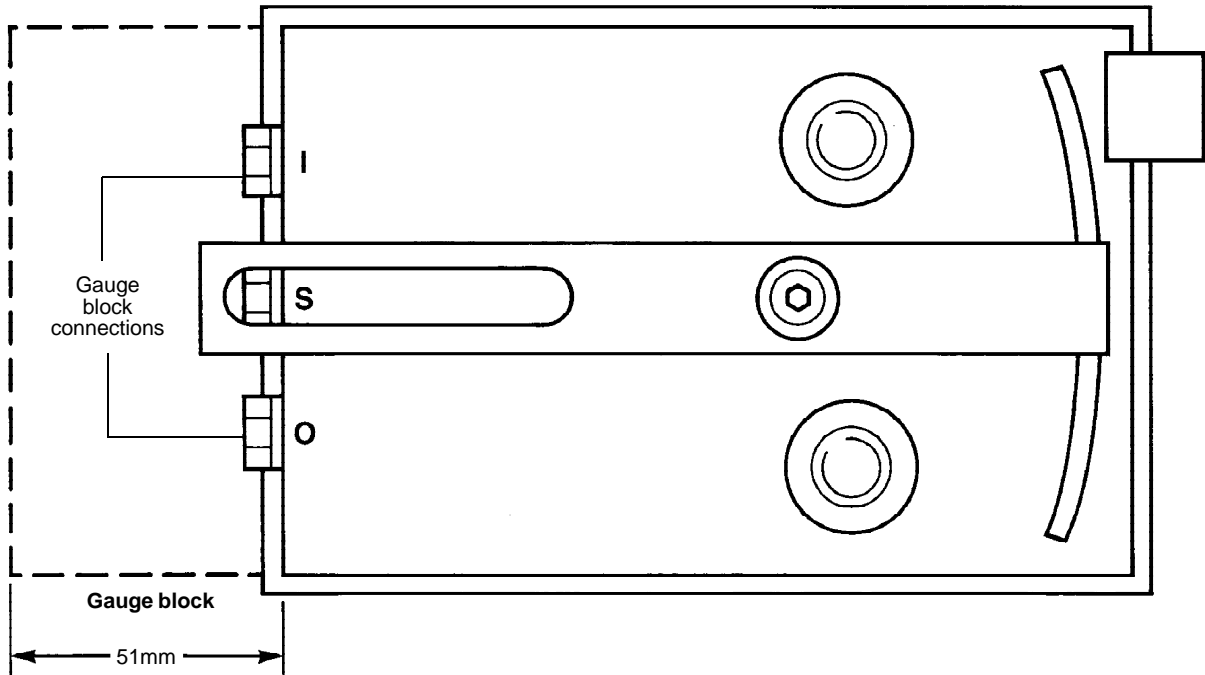
Installation

Full details are contained in the appropriate Installation & Maintenance Instructions supplied with the product.

Air connections (rear view)

Air connection 1/4" NPT

Positioner (Rear view)



Spares

Gauge	0-2 bar output
Gauge	0-4 bar output
Gauge	0-7 bar output
Springs and pneumatic tube set	
Set of gaskets, diaphragms and orifice	
Amplifying relay set	
Block for gauges	

Gauge block (Front view)

