



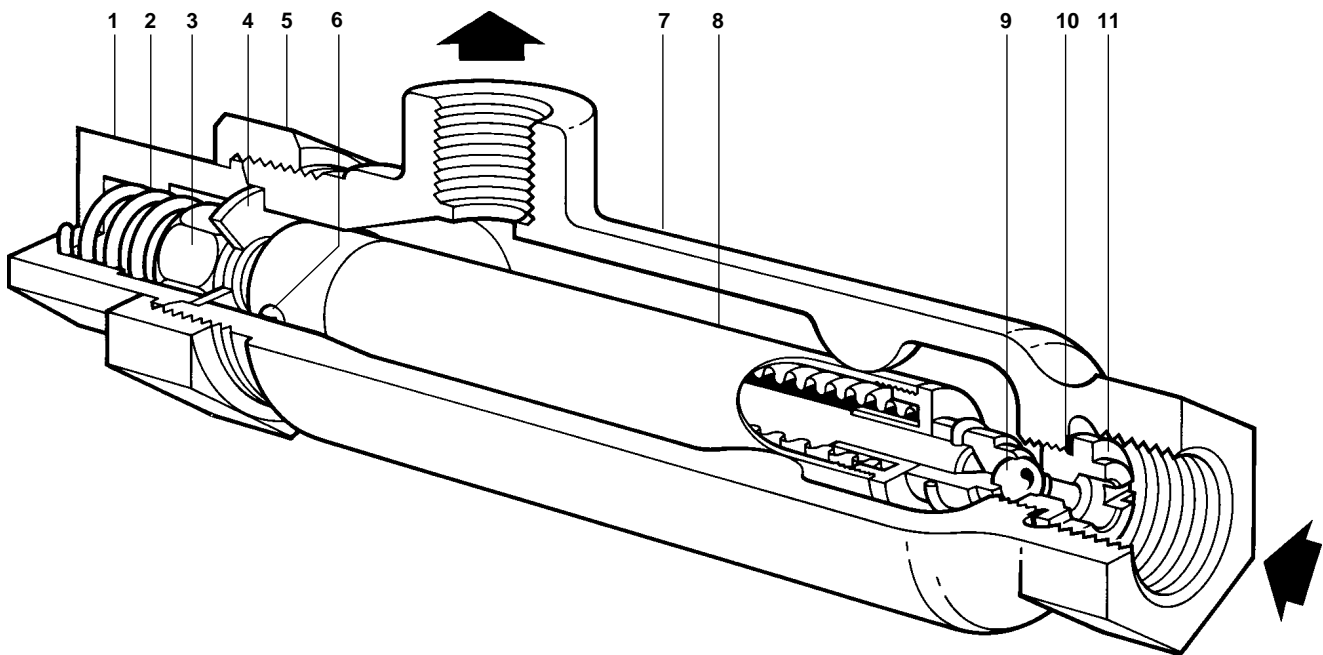
Cert. No. LRQ 0963008

ISO 9001

# spirax sarco

No.8

## Fixed Temperature Liquid Expansion Steam Trap

 TI-P018-01  
 ST Issue 3


### Description

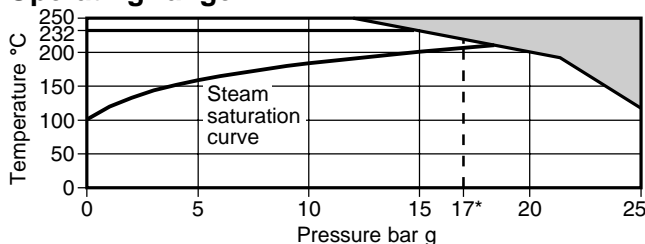
The No.8 fixed temperature liquid expansion thermostatic steam trap has an oil filled element set to operate at a fixed temperature. It is easily adjusted to discharge at any temperature between 60°C and 100°C.

**Sizes and pipe connections** ½" screwed BSP or NPT.

### Limiting conditions

Body design conditions	PN25
PMA - Maximum allowable pressure	25 bar g
TMA - Maximum allowable temperature	250°C
PMO - Maximum operating pressure	17 bar g
TMO - Maximum operating temperature	232°C
Designed for a maximum cold hydraulic test pressure of 38 bar g	

### Operating range



The product must not be used in this region.

\*PMO Maximum operating pressure recommended for saturated steam (17 bar g)

### Materials

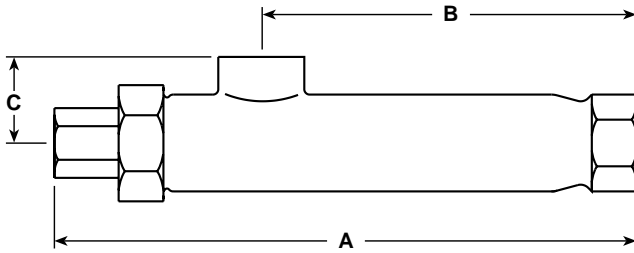
No.	Part	Material	
1	Adjustment nut	Brass	BS EN 12165 CW 617N
2	Overload spring	Stainless steel	BS 970 302 S31
3	Element nut	Brass	BS EN 12165 CW 617N
4	Washer	Brass	BS 2870 CZ 108
5	Adjustment lock-nut	Brass	BS EN 12165 CW 617N
6	Guide screw	Brass	BS 2872 CZ 108
7	Body	Gunmetal	BS EN CC 491K
8	Element	Brass	
9	Valve head	Stainless steel	AISI 440B
10	Valve seat gasket	Copper	BS 2870 C102
11	Valve seat	Stainless steel	BS 970 431 S29

### Certification

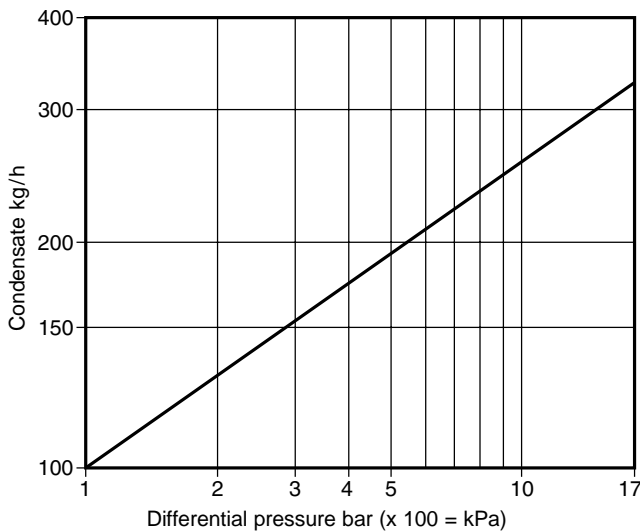
The product is available with certification to EN 10204 2.2.  
**Note:** All certification/inspection requirements must be stated at the time of order placement.

**Dimensions / weights (approximate) in mm and kg**

Size	A	B	C	Weight
½"	215	137	32	1.2

**Capacities**

The capacity graph shown is based on a trap with the adjustment 3 turns open and handling condensate at 80°C.

**Safety information, installation and maintenance**

For full details see the Installation and Maintenance Instructions (IM-P018-02) supplied with the product.

The trap should be installed with the inlet below the equipment being drained. The outlet should always be above the trap.

**Adjustment**

The position of the valve head relative to the seat and, therefore, the operating temperature, can be altered by turning the adjustment which serves one end of the element.

**How to order**

**Example:** 1 off ½" BSP Spirax Sarco No.8 fixed temperature liquid expansion steam trap.

**Spare parts**

The spare parts available are shown in heavy outline. Parts drawn in broken line are not supplied as spares.

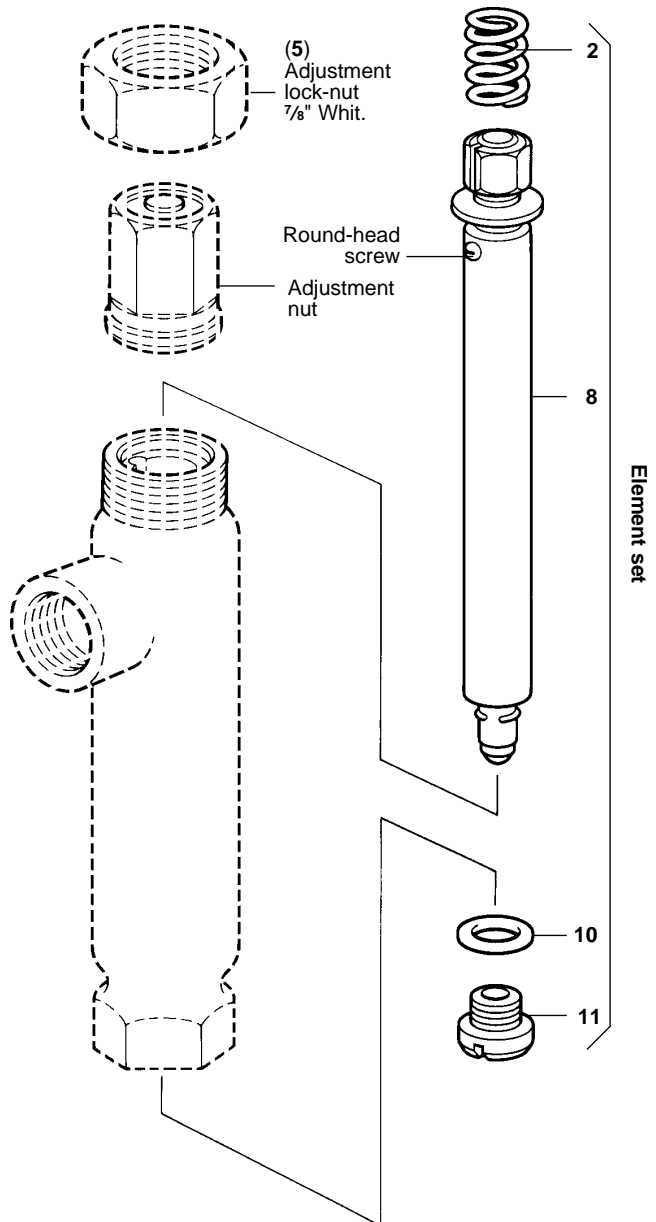
**Available spares**



Element set	<b>2, 8, 10, 11</b>
-------------	---------------------

**How to order spares**

Always order spares by using the description given in the column headed 'Available spares' and state the size and type of trap.

**Example:** 1 - Element set for a ½" Spirax Sarco No.8 fixed temperature liquid expansion steam trap.

**Recommended tightening torques**

Item	 or  mm	N m
5	1 <sup>15</sup> / <sub>32</sub> A/F	80 - 85
11	½" UNF	30 - 35

