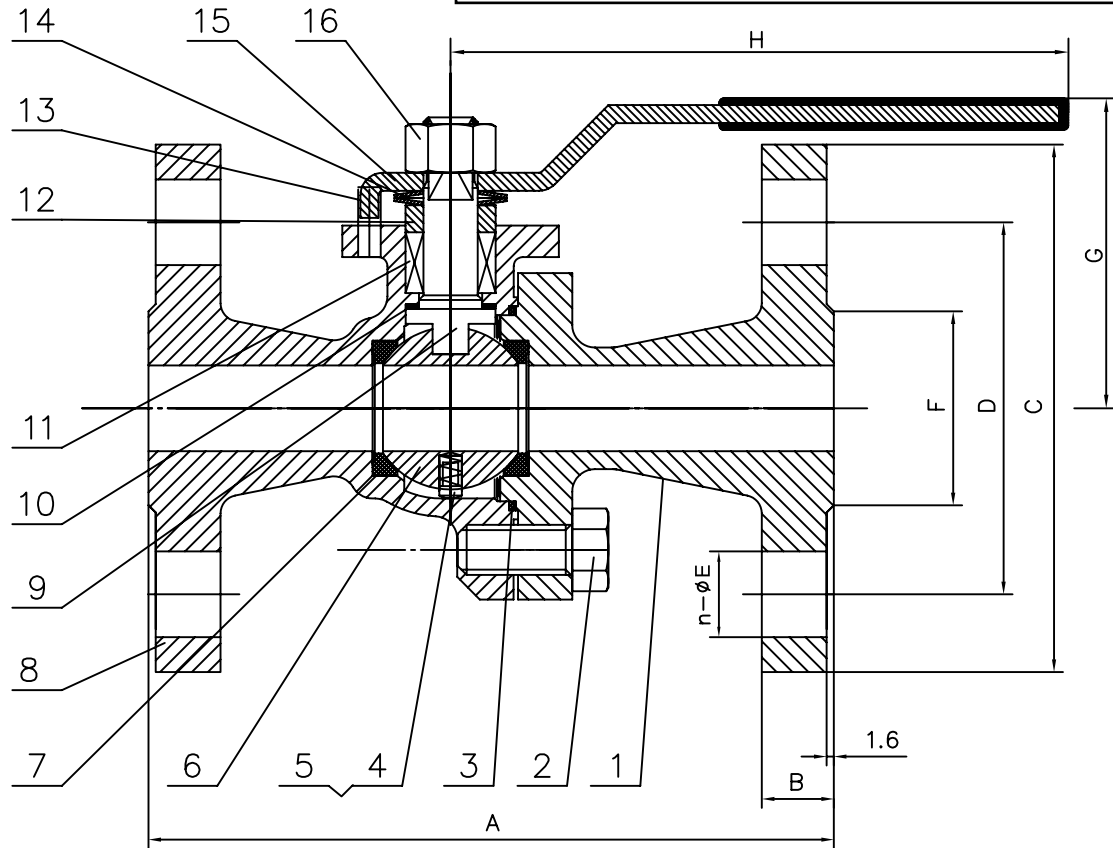


ONLY FOR REFERENCE

ΣΦΑΙΡΙΚΟΙ ΚΡΟΥΝΟΙ 300#



- VALVE ACCORDING TO API 6D
- END TO END ACCORDING TO ANSI B16.10
- FLANGED ACCORDING TO ANSI B16.5(RF)

TEST PRESSURE TO API 598  
 -SHELL: 76.7 BAR -SEAT: 56.2 BAR



CHRYSSAFIDIS

16	NUT	STEEL	ASTM A194-2H	
15	LEVER	CARBON STEEL		
14	SPRING	SS304		
13	PIN	AISI 1035		
12	GLAND	STAINLESS STEEL	ASTM A182 F6	
11	PACKING	PTFE		
10	GASKET	PTFE		
9	STEM	STAINLESS STEEL	ASTM A182 F6	
8	BODY	CAST STEEL	ASTM A216 WCB	
7	SEAT SEAL	PTFE		
6	BALL	STAINLESS STEEL	ASTM A182 F304	
5	SMALLSPRING	STAINLESS STEEL	SS304	
4	SMALL BALL	STAINLESS STEEL	SS304	
3	GASKET	PTFE		
2	BOLT	STEEL	ASTM A193-B7	
1	BONNET	CAST STEEL	ASTM A216 WCB	
ITEM	NAME	MATERIAL	SPECIFICATION	NOTE

SIZE	A	B	C	D	NO. OF	E	F	G	H	WEIGHT
1/2"	140	14.2	95	66.5	4	15	35	90	150	2.6
3/4"	152	16	117	82.5	4	19	43	90	150	3.8
1"	165	18	124	89	4	19	51	100	150	6.0
1-1/2"	178	21	156	114.5	4	22	73	140	242	10.5

PROJECT:	----		
REF:	----		
F.V. REF:	----		
ITEM:	02		
DATE	NAME		
TRACED			
CHECKED			
SCALE	DRAWING No :		
---	REV: 0		
REV.	DATE	DRAWN	CHECKED