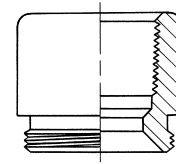
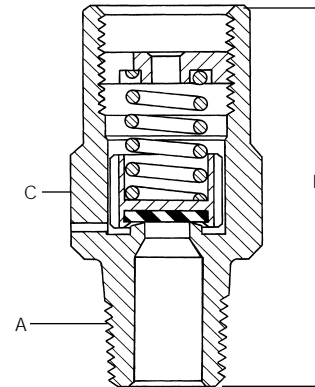


External "Pop-Action" Supplementary Pressure Relief Valves for Small ASME Containers and DOT Cylinders

3127 and 3129 Series



3129-10
Pipe Away Adapter



Application

Designed for use as a supplementary relief valve on small ASME above ground and underground containers. They may also be used as a primary or secondary relief device on DOT cylinders, or as hydrostatic relief valves.

All working components of these relief valves are outside the container connection, so the valves must be protected from physical damage.

Materials

BodyBrass
Spring Stainless Steel
Seat Disc Resilient Rubber

Features

- "Pop-action" design keeps product loss at a minimum.
- Relief valve designed to automatically reseal firmly after discharge.
- Resilient seat disc provides a "bubble-tight" seal.

Ordering Information

Part Number	Container Type	Start To Discharge Setting PSIG	A Container Connection M. NPT	B Overall Height (Approx.)	C Wrench Hex Section	Flow Capacity SCFM/Air*		Suitable for Tanks with Surface Area Up to: ***	Accessories		
						UL (At 120% of Set Pressure)	ECII® Rated at 480 PSIG**		Protective Cap	Pipeaway Adapter	
										Part Number	Outlet Size
3127G	ASME	250	1/4"	1 3/8"	7/8"	295	—	—	7545-40	—	
3129G			1/2"	2 1/8"	1 1/8"	465	—	—		3129-10	1/2" F. NPT
3127K	DOT	375	1/4"	1 3/8"	7/8"	—	450	100 lbs./Propane		—	
3129K			1/2"	2 1/8"	1 1/8"		780	200 lbs./Propane		3129-10	1/2" F. NPT

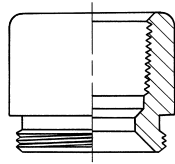
* Flow rates shown are for bare relief valves. Adapters and pipeaways will reduce flow as discussed in forewording information.

** Not UL or ASME rated. ECII® rated at 480 PSIG.

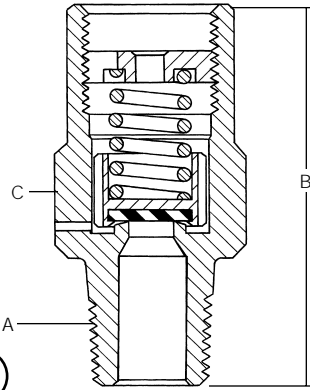
*** Meets DOT requirements.

External Hydrostatic Relief Valves

3125, 3127, 3129, SS8001, SS8002, SS8021 and SS8022 Series



3129-10
Pipe Away Adapter



3125, 3127, 3129 Series

Application

Designed especially for the protection of piping and shut-off valves where there is a possibility of trapping liquid LP-Gas or anhydrous ammonia. They may be installed in pipelines and hoses located between shut-off valves or in the side boss of RegO® shut-off valves.

Features

- Relief valve designed to automatically reset firmly after discharge.
- Resilient seat disc provides a "bubble-tight" seal.
- Available in both brass and stainless steel.
- Available in configurations that permit direct attachment of vent piping when required.

Materials

Body (3125, 3127, 3129) Brass
 Body (SS8001, SS8002, SS8021, SS8022)..... Stainless Steel
 Spring Stainless Steel
 Seat Disc Resilient Rubber

Ordering Information

Part Number	Start To Discharge Setting PSIG	Valve Body Material	A Container Connection M. NPT	B Height (Approx.)	C Wrench Hex Section	Accessories	
						Protective Cap	Pipeaway
							Adapter or Threads
SS8001G	250	Stainless Steel	1/4"	7/8"	1 1/16"	8001-54*	—
SS8002G			1/2"		7/8"	8002-54*	
SS8021G			1/4"	1 3/8"	1 1/16"	8001-54	1/4" NPSM Thrds
SS8022G			1/2"		7/8"	8002-54*	3/8" NPT Thrds
3127G	275	Brass	1/4"	1 31/32"	7/8"	9103-54*	—
3129G			1/2"	2 19/32"	1 1/8"	3129-40P*	
3127H			1/4"	1 31/32"	7/8"	9103-54*	—
3129H			1/2"	2 19/32"	1 1/8"	3129-40P*	
3127P	300	Brass	1/4"	1 31/32"	7/8"	9103-54*	—
3129P			1/2"	2 19/32"	1 1/8"	3129-40P*	
3127J	350	Stainless Steel	1/4"	1 31/32"	7/8"	9103-54*	—
3129J			1/2"	2 19/32"	1 1/8"	3129-40P*	
SS8001J	375	Brass	1/4"	7/8"	1 1/16"	8001-54*	—
SS8002J			1/2"		7/8"	8002-54*	
SS8021J			1/4"	1 3/8"	1 1/16"	8001-54	1/4" NPSM Thrds
SS8022J			1/2"		7/8"	8002-54*	3/8" NPT Thrds
3127K	400	Brass	1/4"	1 31/32"	7/8"	9103-54*	—
3129K			1/2"	2 19/32"	1 1/8"	3129-40P*	
3125L			1/4"	1 9/16"	5/8"	9103-54*	—
3127L			1/4"	1 31/32"	7/8"	9103-54*	
3129L	1/2"	2 19/32"	1 1/8"	3129-40P*	3129-10**		
SS8001L	450	Stainless Steel	1/4"	7/8"	1 1/16"	8001-54*	—
SS8002L			1/2"		7/8"	8002-54*	
SS8021L			1/4"	1 3/8"	1 1/16"	8001-54	1/4" NPSM Thrds
SS8022L			1/2"		7/8"	8002-54*	3/8" NPT Thrds
3127U	450	Brass	1/4"	1 31/32"	7/8"	9103-54*	—
3129U			1/2"	2 19/32"	1 1/8"	3129-40P*	
SS8001U			1/4"	7/8"	1 1/16"	8001-54*	—
SS8002U			1/2"		7/8"	8002-54*	
SS8021U	1/4"	1 3/8"	1 1/16"	8001-54	1/4" NPSM Thrds		
SS8022U	1/2"		7/8"	8002-54*	3/8" NPT Thrds		

* Included
 ** 1/2" F. NPT outlet connection.

