

# s.35 high pressure Mini 1/8"-1/2" drawn brass ball valves



2947xxA 1/2



## Features and Specifications:

- Patent n. 7011-B/89
- One piece drawn sand blasted brass body with extremely compact design
- Approved by VTT (SF), GOST-R (RU), Hygenic (RU), ROSTEKHNADZOR (RU), UkrSepro (U)
- Finest brass according to EN 12164 specification
- Each valve is seal tested for maximum safety
- Pure PTFE self-lubricating seats with flexible-lip design
- Dual sealing system allows valve to be operated in either direction making installation easier
- Chrome plated brass ball for longer life
- No metal-to-metal moving parts
- No maintenance ever required
- Blowout-proof brass stem with FPM O-ring
- Reinforced nylon black wedge handle removable with valve in service
- Handle/stem clearly show ball position
- ISO 228 parallel threads
- Silicone-free lubricant
- 30 bar (Kg/cm<sup>2</sup>) non-shock cold working pressure
- Range: -20°C +90°C temperature (+120°C screw driver version and metal wedge handle)



## Options:

- Male by Female threads
- ISO 7/1 BSPT Taper threads
- NPT taper ANSI B.1.20.1 threads
- Dezincification Resistant brass CW602N
- Aluminum body
- Nylon wedge handle yellow, red or green
- Metal wedge handle available in colours red, black, yellow, green, light blue, chrome plated
- Grey wedge handle in Grivory® - high performing polymer
- Screw driver or wrench operated
- Additional connection options on demand.

## Approved By:



**NOTE:** Approvals apply to specific configurations only.

The product described in this document meets the requirements of PED Directive 97/23 and according to art.3 par.3, it does not require CE marking.



**RUB RUBINETTERIE UTENSILERIE BONOMI**

Via Padana Superiore 27/29 25080 Ciliverghe di Mazzano (Bs) Italy  
Ph: +39 030 212441 - Fax: +39 030 2629498



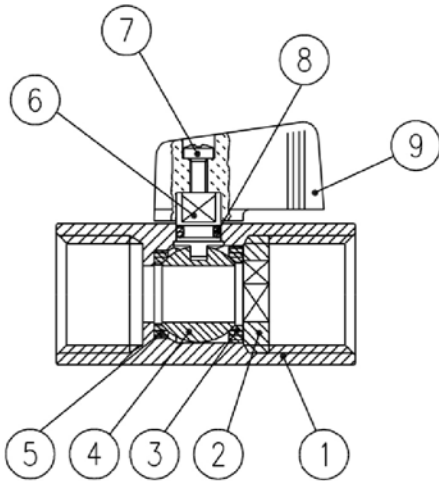
# s.35 high pressure Mini 1/8"-1/2" drawn brass ball valves



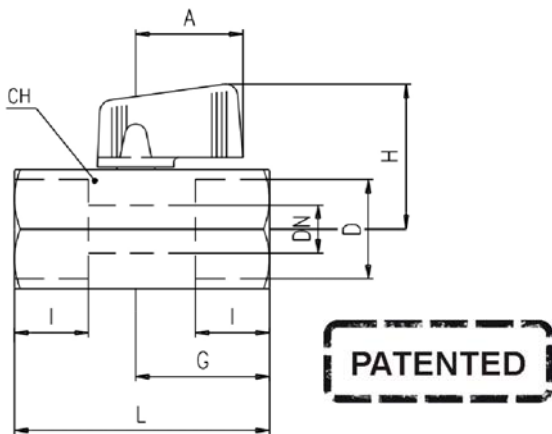
2947xxA 2/2



## Technical Specifications:



	PART DESCRIPTION	Q.ty	Material
1	Chrome plated body	1	CW617N
2	Retainer nut	1	CW617N
3	Retainer seat	1	Ptfe
4	Chrome plated ball	1	CW617N
5	Body seat	1	Ptfe
6	Unplated stem	1	CW617N
7	Zinc plated screw	1	CB4FF
8	O-Ring	1	FPM
9	Black handle	1	Nylon glass filled 30%

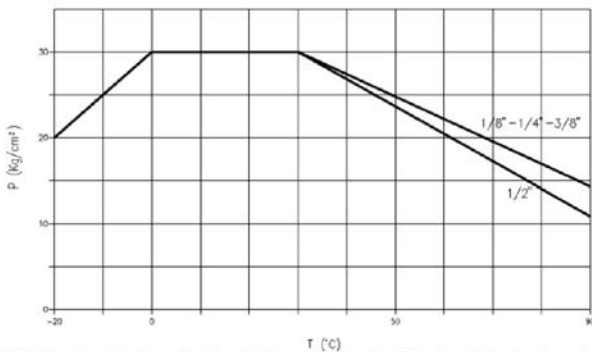


Code	S35AF0	S35BF0	S35CF0	S35DF0
D (inch)	1/8	1/4	3/8	1/2
DN(mm)	6	8	8	10
I (mm)	10	11	11	13
L (mm)	41.5	41.5	41.5	49
G (mm)	22	22	22	26
A (mm)	22.5	22.5	22.5	22.5
H (mm)	31	31	31	33
CH(mm)	21	21	21	25

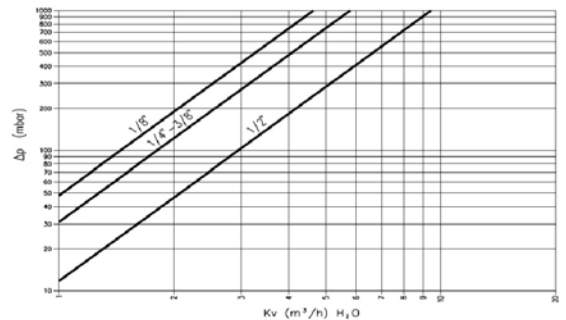
DN shows the nominal flow diameter.  
For details on other configurations, ask our Service Center.

Ask for additional information on the whole range of RuB valves and consult with your supplier for special applications.

Pressure - Temperature Chart



Pressure Drop Chart



The company reserves all rights for the information contained herein. Products may be changed at any time without notice. Any undated reference to a code or standard shall be interpreted as referring to the latest edition. RuB and logo are registered trademark of RuB-Rubinetterie utensilerie Bonomi. Others logos are property of respective owners.

**RUB RUBINETTERIE UTENSILERIE BONOMI**

Via Padana Superiore 27/29 25080 Ciliverghe di Mazzano (Bs) Italy  
Ph: +39 030 212441 - Fax: +39 030 2629498

