

CARATTERISTICHE SPECIFICATIONS

ATTACCHI PIPES in → out	Ø mm	CODICE CODE	KV m ³ /h	M.O.P.D. bar		DIMENSIONI/DIMENSIONS mm				PESO/WEIGHT Kg
				AC	DC	A	B	C	D	
G 1/4	10	8512	1.86	10	10	61	73	48	60	0.500
G 3/8	12	8513	1.86	10	10	61	73	48	60	0.450
G 1/2	12	8514	2.10	10	10	61	73	48	60	0.400
3/8 NPT	12	8523	1.86	10	10	61	73	48	60	0.450
1/2 NPT	12	8524	2.10	10	10	69	73	48	60	0.410

CARATTERISTICHE ELETTRICHE ELECTRICAL INFORMATION

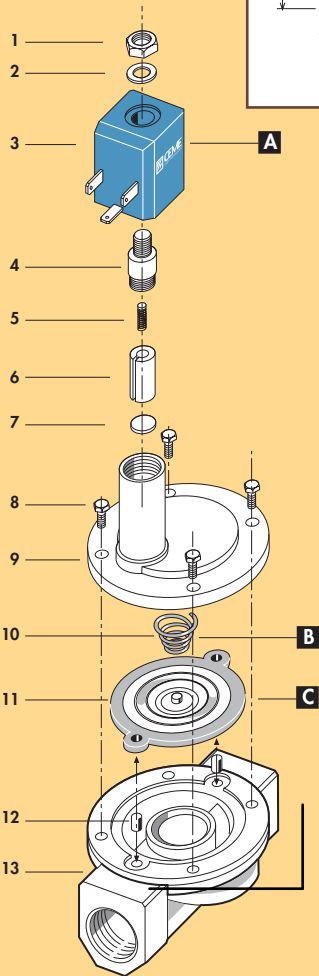
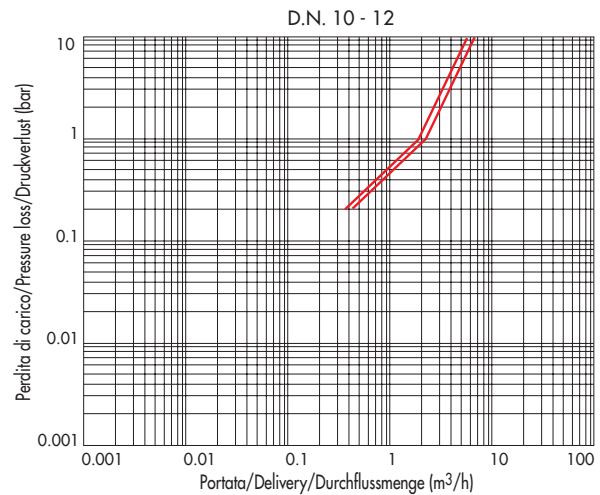
V~	12	24	48	110	230	400	50	60	Hz	POTENZA/POWER	
										NOMINALE HOLDING	SPUNTO IN RUSH
V~	12	24	48	110	230	400	50	60	Hz	11VA	14,5VA
V=	12	24	48	110						9W	

Per dettagli costruttivi sulle bobine vedi capitolo "INFORMAZIONI DI PROGETTO"
For construction details of the coil see chapter "PROJECT INFORMATION"
Ausführliche Daten über die Ventilsolenen finden Sie unter Abschnitt "TECHNISCHE
INFORMATIONEN"

MAX TEMPERATURA MAX TEMPERATURE

FLUIDI/FLUIDS				AMBIENTE/AMBIENT
NBR	EPDM	EPDM/KTW	FPM	80°C
90°C	130°C	130°C	150°C	

DIAGRAMMA PERDITA DI CARICO PRESSURE LOSS DIAGRAM



1	Dado	Lock nut	Mutter
2	Rondella	Washer	Beilagscheibe
3	Bobina	Coil	Magnetspule
4	Nucleo fisso	Tube top	Kern
5	Molla	Spring	Feder
6	Nucleo mobile	Plunger	Plunger
7	Pastiglia	Seal	Dichtung
8	Vite	Screw	Schraube
9	Coperchio	Valve body top	Deckel
10	Molla	Spring	Feder
11	Membrana	Diaphragm	Membrane
12	Bussola	Bush	Buchse
13	Corpo	Valve body base	Grundkörper
RICAMBI		SPARE PARTS	ERSATZTEILE
A	Bobina	Coil	Magnetspule
B	Molla	Spring	Feder
C	Membrana	Diaphragm	Membrane



ELETTROVALVOLA SERVOCOMANDATA 2/2 VIE N.C.
SOLENOID VALVE PILOT OPERATED 2/2 WAY N.C.
SERVOGESTEUERTES MAGNETVENTIL 2/2 WEGE S.G.


CARATTERISTICHE GENERALI
PRESSIONE MINIMA DIFFERENZIALE DI FUNZIONAMENTO 0,25 bar

PARTI A CONTATTO CON IL FLUIDO
TENUTA

NBR a richiesta FPM - EPDM

EPDM-KTW tenuta adatta e certificata DVGW per l'intercettazione di acqua potabile.

CORPO

OTTONE

ORGANI INTERNI

ACCIAIO INOX

FLUIDI

ARIA - ACQUA - OLII LEGGERI

VALVOLA UNIDIREZIONALE
VALVOLA ISPEZIONABILE
VALVOLA FORNITA CON
POSIZIONE DI MONTAGGIO

CONNETTORE TRIPOLARE UNI ISO 6952 (DIN 43650B)- IP65.

Qualsiasi; sconsigliata quella con bobina rivolta verso il basso.

TEMPERATURA AMBIENTE

80°C, in D.C. per temperature superiori a 40°C, le performance (M.O.P.D.) potrebbero diminuire.

ESECUZIONI SPECIALI

- VERSIONE ANTI COLPO D'ARIETE CON TEMPO DI CHIUSURA PIU' LENTO.

- VERSIONE CON OMOLOGAZIONE KTW.


GENERAL FEATURES
MINIMUM DIFFERENTIAL WORKING PRESSURE 0,25 bar

PARTS IN CONTACT WITH THE FLUID
SEALING

NBR on request FPM - EPDM

EPDM-KTW sealing approved and DVGW certified for interception of potable water

BODY

BRASS

INTERNAL PARTS

STAINLESS STEEL

FLUIDS

AIR - WATER - LIGHT OILS

ONE WAY DIRECTION VALVE
SERVICEABLE VALVE
VALVE SUPPLIED WITH

THREE POLE PLUG CONNECTOR UNI ISO 6952 (DIN 43650B)-IP65

MOUNTING POSITION

Any, the position with the coil downwards is not recommended.

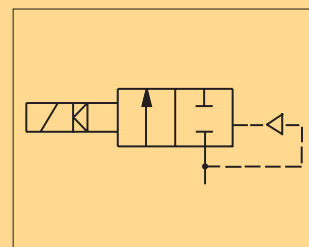
AMBIENT TEMPERATURE

80°C, in D.C. for temperatures higher than 40°C, the performances (M.O.P.D.) could decrease.

SPECIAL EXECUTIONS

- VERSION WITH WATER HAMMER DEVICE FOR SLOWER CLOSING TIME.

- VERSION WITH KTW HOMOLOGATION.


ALLGEMEINE MERKMALE
MINIMALER DIFFERENTIALARBEITSDRUCK 0,25 bar

MEDIUMS BERUEHRTE TEILE
DICHTUNG

NBR auf Nachfrage FPM - EPDM

EPDM-KTW Dichtung DVGW-KTW zertifiziert fuer den Trinkwassereinsatz.

KOERPER

MESSING

INNERE ELEMENTE

EDELSTAHL

MEDIEN

LUFT - WASSER - LEICHTE OELE

UNIDIREKTIONALES VENTIL
VENTIL WARTUNGSFREUNDLICH
LIEFERUMFANG

DREIPOLIGER STECKER UNI ISO 6952 (DIN 43650B) -IP65

MONTAGEPOSITION

Keine Einschränkungen. Fuer Montage mit dem Spulenkopf senkrecht nach unten, auf Anfrage.

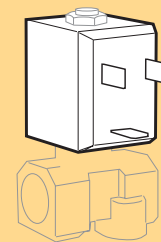
UMGEBUNGSTEMPERATUR

80°C, im D.C.- Betrieb koennen Temperaturen ueber 40°C, die Schaltkrafte (M.O.P.D.) des Ventils beeintraechtigen.

SONDERAUSFUEHRUNGEN

- VERSION LANGSAM SCHLIESSEND.

- VERSION MIT HOMOLOGATION KTW.


BOBINA TIPO B4
COIL TYPE B4
SPULE TYP B4
serie 85