

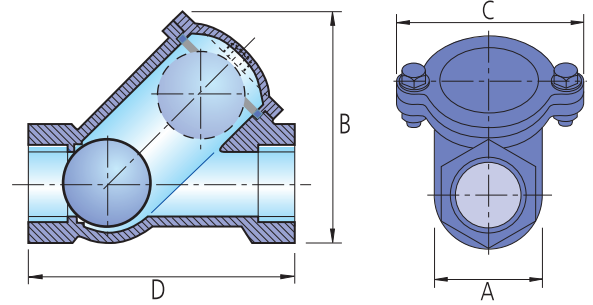
BVP-08-52R

**PROINVAL BALL CHECK VALVES
NP 10 SCREWED ENDS**



Proinval ball check valves BVP-08-94B are design to satisfy needs in various fields such as waste water, sticky fluids, raising water, etc.

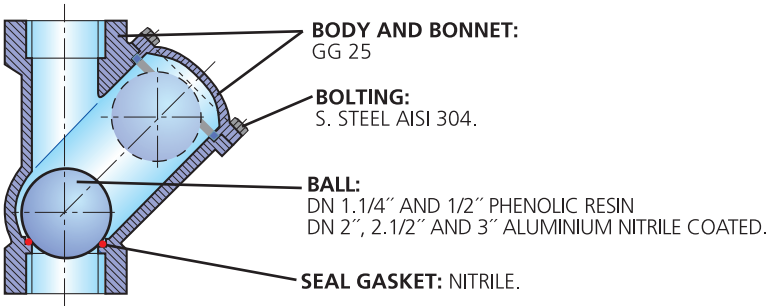
RANGE: from ND 1.1/4" to ND 3".
WORKING PRESSURE: 10 BAR.
SCREWED ENDS: DIN 259 / 2999.
COATING: EPOXY 120μm.



ND	A	B	C	D	kgs.
1.1/4"	55	125	105	140	2
1.1/2"	65	150	115	145	2,5
2"	75	175	134	170	3,5
2.1/2"	93	211	160	210	6
3"	108	249	180	240	8

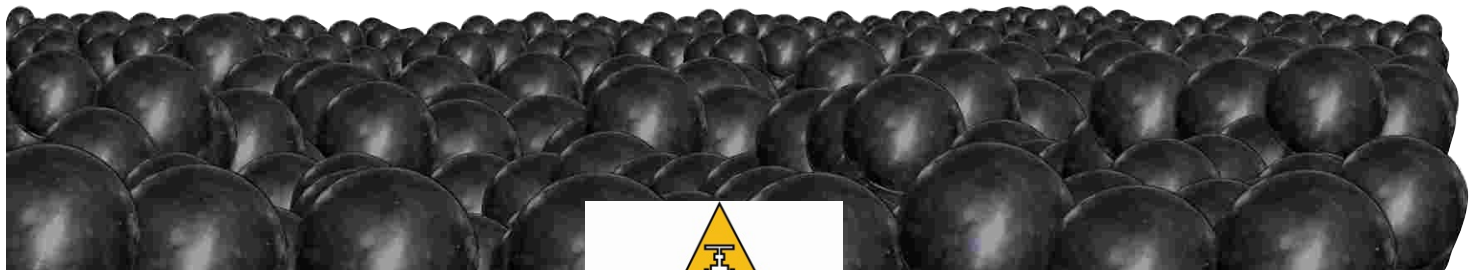
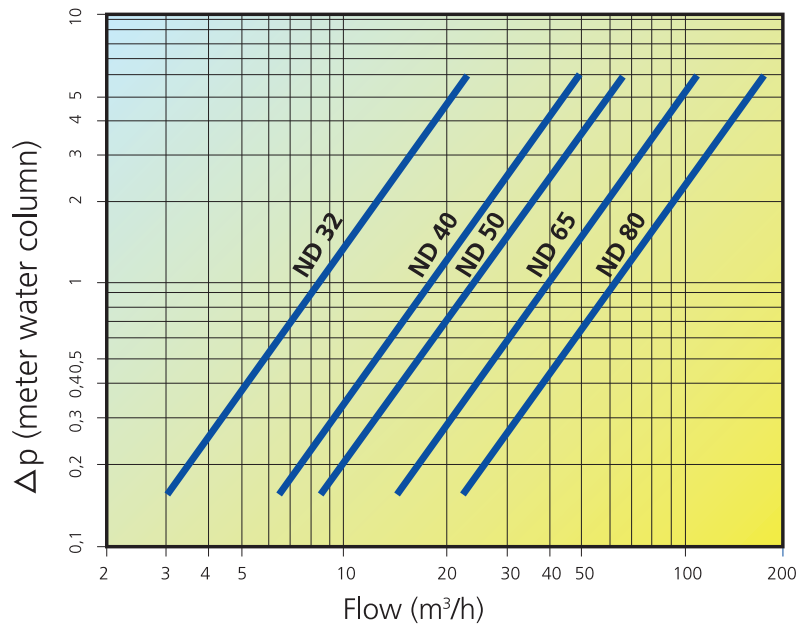
GENERAL CHARACTERISTICS:

- Full bore thanks to the free movement of the ball.
- Floating self-cleaning ball.
- Silent.
- Low head loss.
- Operating temperatures: -5°C + 70°C.
- Tight and working in horizontal or vertical position.
- Removable bonnet to allow cleaning or changing the ball without dismantling from the pipeline.
- May be also used for clean water due to its low head lost.
- Optional low weight ball to be used as air valve.



DETAIL OF THE INTERIOR OF THE BALL

HEAD LOSS



CHRYSSAFIDIS

