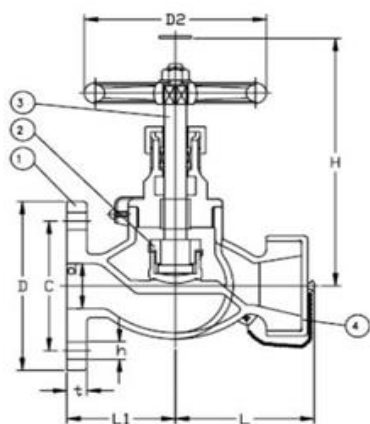
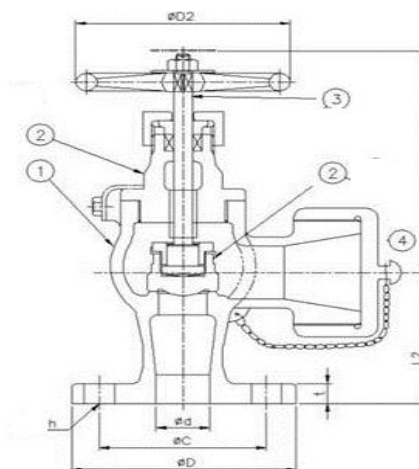


KOWO MARINE BRONZE 5K HOSE GLOBE & ANGLE VALVE - JIS F7334
KEHUI MARINE BRONZE 10K HOSE GLOBE & ANGLE VALVE - JIS F7334

Manufactured in accordance to JIS F7400
 Flange as per JIS B2220 - 5K or 10K



HOSE GLOBE VALVE



HOSE ANGLE VALVE

No.	Component	Material
1	Body	Bronze
2	Disc	Bronze
3	Stem	Brass
4	Coupling	Bronze

Nominal Pressure		5K	10K
Hydraulic Inspection	Body	10.5kg	21kg
	Seat	7.7kg	15.4kg

Type	Size	D	C	No.	h	t	H-Globe	H-Angle	D2	D3
5K	15A	80	60	4	12	9	130	120	80	M42X2
	25A	95	75	4	12	10	160	145	125	M42X2
	40A	120	95	4	15	12	190	165	140	M52X2
	50A	130	105	4	15	14	255	225	160	M64X2
10K	15A	95	70	4	15	12	130	120	80	M42X2
	25A	125	90	4	19	14	160	145	125	M42X2
	40A	140	105	4	19	16	190	165	140	M52X2
	50A	155	120	4	19	16	270	240	160	M64X2
	65A	175	140	4	19	18	295	255	200	M80X2



Qingdao Kowo Valves Co.,Ltd (Qingdao Kehui Valves Co.,Ltd)

