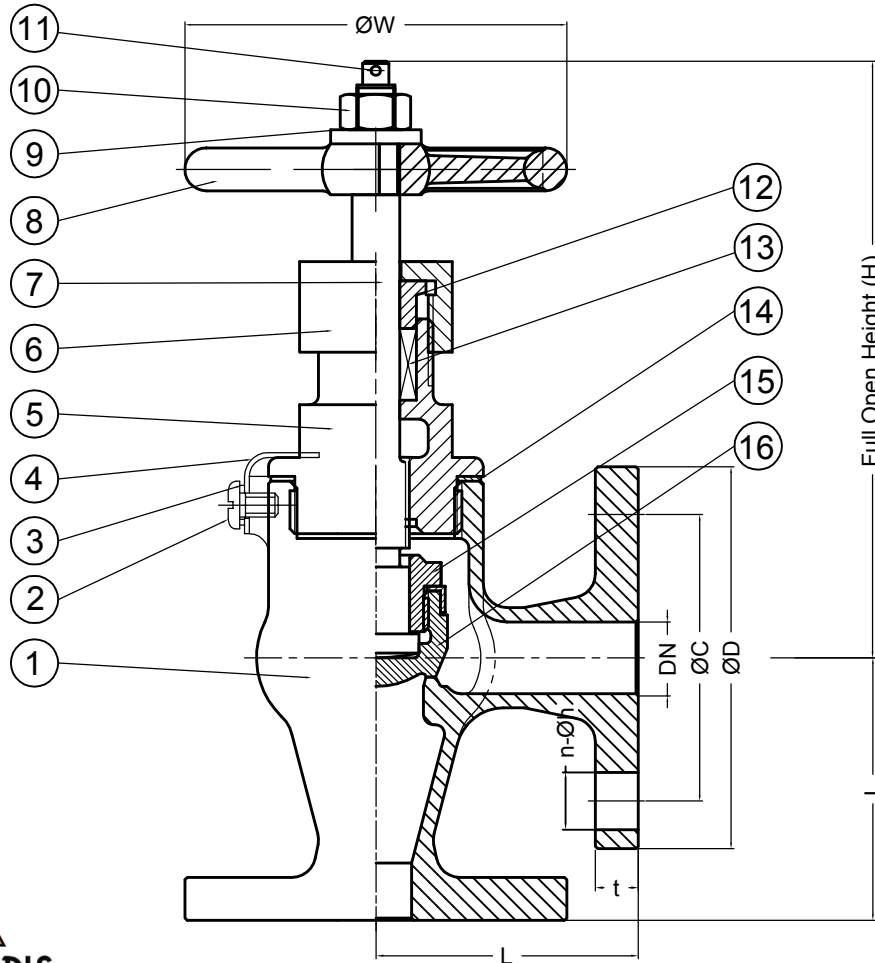


## ΓΩΝΙΑΚΑ ΜΠΡΟΥΤΖΙΝΑ ΕΠΙΣΤΟΜΙΑ 16K

HYDRAULIC INSPECTION



Full Open Height (H)



CHRYSSAFIDIS

## MAIN DIMENSION FOR CONNECTING mm

| MODEL | PN/DN | FACE TO FACE | FLANGE DIMENSIONS |     |      |    | WIDTH | HEIGHT | WEIGHT |
|-------|-------|--------------|-------------------|-----|------|----|-------|--------|--------|
|       |       | L            | ØD                | ØC  | n-Øh | t  | ØW    | H      | kg     |
| F7304 | 16K15 | 70           | 95                | 70  | 4*15 | 12 | 80    | 120    | 2.73   |
| F7304 | 16K20 | 75           | 100               | 75  | 4*15 | 14 | 100   | 130    | 3.65   |
| F7304 | 16K25 | 85           | 125               | 90  | 4*19 | 14 | 125   | 145    | 5.16   |
| F7304 | 16K32 | 95           | 135               | 100 | 4*19 | 16 | 125   | 150    | 6.72   |
| F7304 | 16K40 | 100          | 140               | 105 | 4*19 | 16 | 140   | 165    | 8.13   |

TEST PRESSURE

BODY

3.24MPa

SEAT

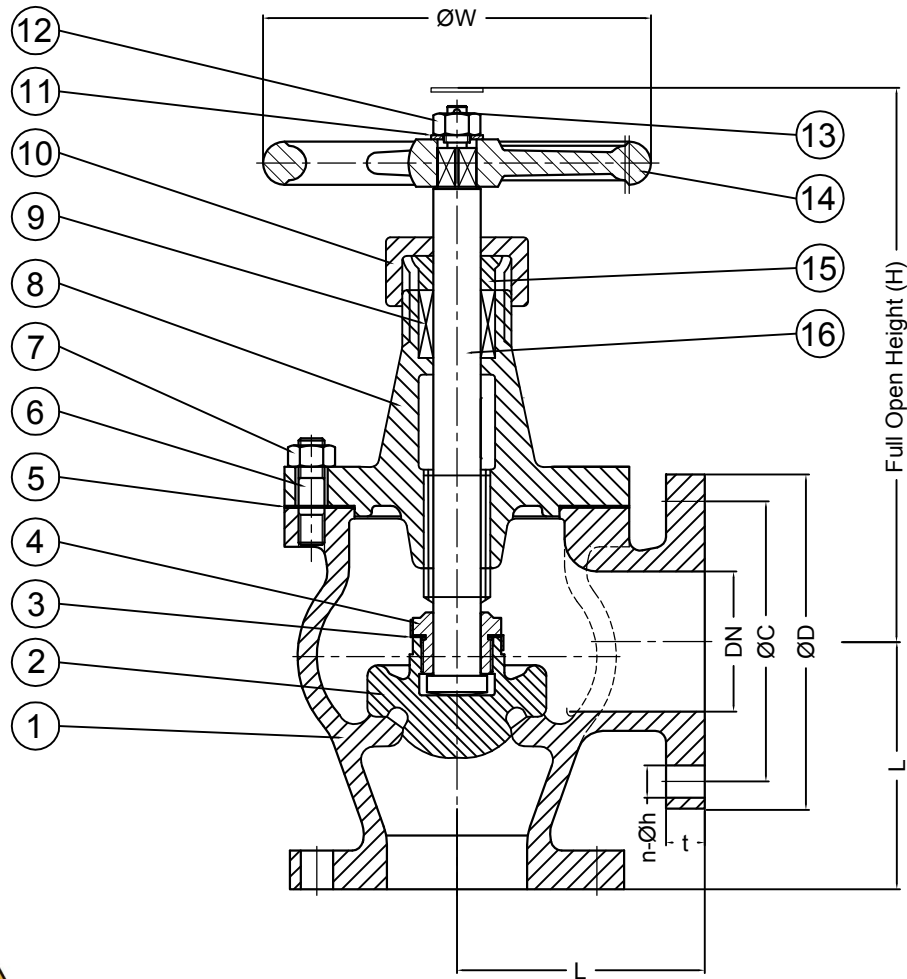
2.37MPa

PRESSURE RATING

| FLUID CONDITION                   | MAXIMUM WORKING PRESSURE |
|-----------------------------------|--------------------------|
| STEAM OF 205°C OR LESS            | 1.57MPa                  |
| AIR, GAS, OIL AND PULSATION WATER |                          |
| NON-SHOCK WATER OF 120°C OR LESS  | 2.16MPa                  |

| 16  | DISC          | CAST BRONZE       | BC6     |
|-----|---------------|-------------------|---------|
| 15  | DISC NUT      | FORGED BRASS      | C3771BD |
| 14  | GASKET        | NON-ASBESTOS      |         |
| 13  | PACKING       | FLEXIBLE GRAPHITE |         |
| 12  | PACKING GLAND | FORGED BRASS      | C3771BD |
| 11  | SPLIT PIN     | STAINLESS STEEL   | SS304   |
| 10  | HEXAGON NUT   | GALV' STEEL       | SS400   |
| 9   | WASHER        | STEEL             | SS400   |
| 8   | HAND WHEEL    | CAST IRON         | FC200   |
| 7   | STEM          | FORGED BRASS      | C3771BD |
| 6   | GLAND NUT     | FORGED BRASS      | C3771BD |
| 5   | BONNET        | CAST BRONZE       | BC6     |
| 4   | LOCK PLATE    | COPPER ALLOY      | C2600P  |
| 3   | WASHER        | STEEL             | SS400   |
| 2   | SET SCREW     | COPPER ALLOY      | C2700W  |
| 1   | BODY          | CAST BRONZE       | BC6     |
| NO. | NAME OF PART  | MATERIAL          | MARK    |

| REV         | DATE        | DESCRIPTION OF REASON                  | DWG   | CHK'D | APP'D |
|-------------|-------------|--|-------|-------|-------|
| DESCRIPTION |             | JIS F7304 16K CAST BRONZE ANGLE VALVES |       |       |       |
| DWG         | CHK'D       | APP'D                                  | SCALE | NON   |       |
| Ding Lee    | KIM         | Bing.                                  | UNIT  | mm    |       |
| DATE        | Mar.05,2016 | DWG NO.                                |       | REV   | 0     |



**HYDRAULIC INSPECTION**

|               |      |         |
|---------------|------|---------|
| TEST PRESSURE | BODY | 3.24MPa |
|               | SEAT | 2.37MPa |

**PRESSURE RATING**

| FLUID CONDITION                  | MAXIMUM WORKING PRESSURE |
|----------------------------------|--------------------------|
| STEAM OF 205°C OR LESS           | 1.57MPa                  |
| AIR,GAS,OIL AND PULSATION WATER  |                          |
| NON-SHOCK WATER OF 120°C OR LESS | 2.16MPa                  |

|    |                  |                   |         |
|----|------------------|-------------------|---------|
| 16 | STEM             | FORGED BRASS      | C3771BD |
| 15 | PACKING GLAND    | FORGED BRASS      | C3771BD |
| 14 | HAND WHEEL       | CAST IRON         | FC200   |
| 13 | SPLIT PIN        | STAINLESS STEEL   | SS304   |
| 12 | HEXAGON NUT      | GALV' STEEL       | SS400   |
| 11 | WASHER           | STEEL             | SS400   |
| 10 | GLAND NUT        | FORGED BRASS      | C3771BD |
| 9  | PACKING          | FLEXIBLE GRAPHITE |         |
| 8  | BONNET           | CAST BRONZE       | BC6     |
| 7  | HEXAGON NUT      | GALV' STEEL       | SS400   |
| 6  | STUD BOLT        | GALV' STEEL       | SS400   |
| 5  | GASKET           | NON-ASBESTOS      |         |
| 4  | DISC NUT         | FORGED BRASS      | C3771BD |
| 3  | DISC LOCK WASHER | COPPER ALLOY      | C2600P  |
| 2  | DISC             | CAST BRONZE       | BC6     |
| 1  | BODY             | CAST BRONZE       | BC6     |

| NO.         | NAME OF PART | MATERIAL                               | MARK  |       |       |
|-------------|--------------|--|-------|-------|-------|
| REV         | DATE         | DESCRIPTION OF REASON                  | DWG   | CHK'D | APP'D |
| DESCRIPTION |              | JIS F7304 16K CAST BRONZE ANGLE VALVES |       |       |       |
| DWG         | CHK'D        | APP'D                                  | SCALE | NON   |       |
| Bing Lee    | KIM          | Bing.                                  | UNIT  | mm    |       |
| DATE        | Mar.05,2016  | DWG NO.                                |       | REV   | 0     |



**MAIN DIMENSION FOR CONNECTING mm**

| MODEL | PN/DN | FACE TO FACE | FLANGE DIMENSIONS |     |      |    | WIDTH | HEIGHT | WEIGHT |
|-------|-------|--------------|-------------------|-----|------|----|-------|--------|--------|
|       |       | L            | ØD                | ØC  | n-Øh | t  | ØW    | H      | kg     |
| F7304 | 16K50 | 120          | 155               | 120 | 8*19 | 18 | 140   | 200    | 14.08  |
| F7304 | 16K65 | 130          | 175               | 140 | 8*19 | 18 | 160   | 220    | 19.60  |