

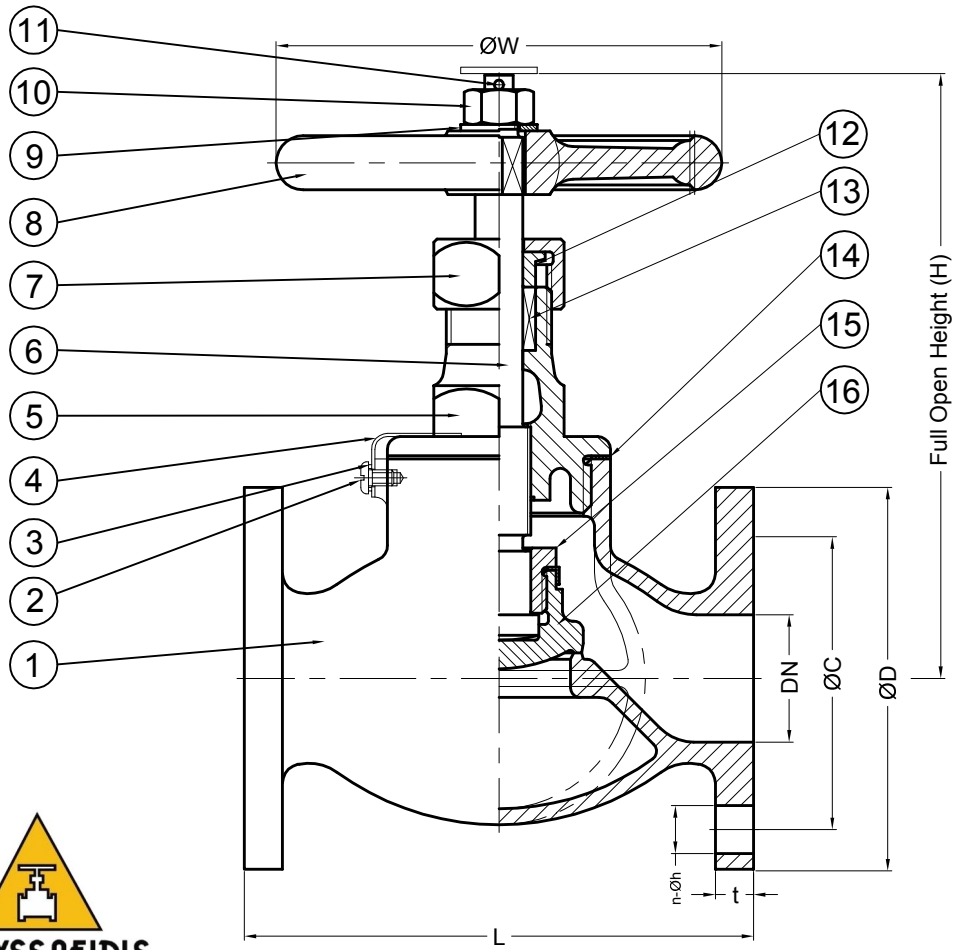
# ΜΠΡΟΥΤΖΙΝΑ ΕΠΙΣΤΟΜΙΑ 16K

## HYDRAULIC INSPECTION

TEST PRESSURE	BODY	3.24MPa
	SEAT	2.37MPa

## PRESSURE RATING

FLUID CONDITION	MAXIMUM WORKING PRESSURE
STEAM OF 205°C OR LESS	1.57MPa
AIR,GAS,OIL AND PULSATION WATER	
NON-SHOCK WATER OF 120°C OR LESS	2.16MPa



16	DISC	CAST BRONZE	BC6
15	DISC NUT	FORGED BRASS	C3771BD
14	GASKET	NON-ASBESTOS	
13	PACKING	FLEXIBLE GRAPHITE	
12	PACKING GLAND	FORGED BRASS	C3771BD
11	SPLIT PIN	STAINLESS STEEL	SS304
10	HEXAGON NUT	GALV' STEEL	SS400
9	WASHER	STEEL	SS400
8	HAND WHEEL	CAST IRON	FC200
7	GLAND NUT	FORGED BRASS	C3771BD
6	STEM	FORGED BRASS	C3771BD
5	BONNET	CAST BROZE	BC6
4	LOCK PLATE	COPPER ALLOY	C2600P
3	WASHER	STEEL	SS400
2	SET SCREW	COPPER ALLOY	C2700W
1	BODY	CAST BRONZE	BC6

### MAIN DIMENSION FOR CONNECTING mm

MODEL	PN/DN	FACE TO FACE	FLANGE DIMENSIONS				WIDTH	HEIGHT	WEIGHT
		L	ØD	ØC	n-Øh	t	ØW	H	kg
F7303	16K15	110	95	70	4*15	12	80	130	2.76
F7303	16K20	120	100	75	4*15	14	100	140	3.72
F7303	16K25	130	125	90	4*19	14	125	160	5.20
F7303	16K32	160	135	100	4*19	16	125	170	6.91
F7303	16K40	180	140	105	4*19	16	140	190	8.43

NO.	NAME OF PART	MATERIAL	MARK
REV	DATE	DESCRIPTION OF REASON	DWG CHK'D APP'D
DESCRIPTION		JIS F7303 16K CAST BRONZE GLOBE VALVES	
DWG	CHK'D	APP'D	SCALE
Bing Lee	KIM	Bing.	UNIT
DATE	Mar.05,2016	DWG NO.	REV 0