

# s.100 / s.101

## 3-way hot forged 1/4"-2" brass ball valves



### Features and Specifications:

- 3-way T (s.100) or L (s.101) design allows complete range of flow handling applications
- Hot forged sand blasted nickel plated brass body and caps
- Copper alloy brass according to EN 12165 and EN 12164 specifications
- Approved by GOST-R (RU), Hygenic (RU), ROSTEKHNADZOR (RU), UkrSepru (U)
- Extra port for lowest pressure drop
- PTFE seats
- UNI 8858 cycle and torque tests performed
- Four seats design limits mixture among various fluids in the system
- Chrome plated brass ball for longer life
- No metal-to-metal moving parts
- Two NBR O-rings at the stem for maximum safety
- ISO 228 Female threads
- See non-shock cold working pressure on chart
- Range: -10°C +120°C temperature (Warning: freezing of the fluid in the installation may severely damage the valve)

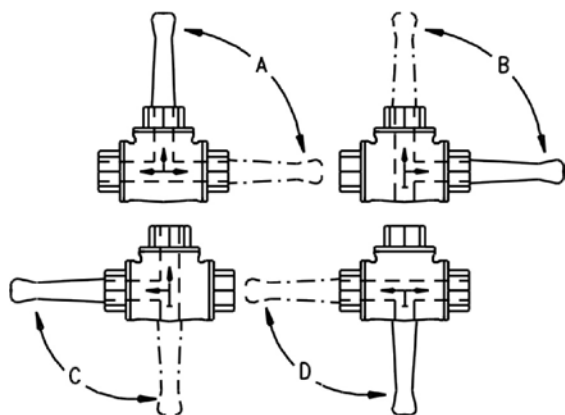


The product described in this document meets the requirements of PED Directive 97/23 and according to art.3 par.3, it does not require CE marking; it cannot be used with dangerous gases in sizes larger than 25mm; it cannot be used with non-dangerous gases in sizes larger than 40mm.

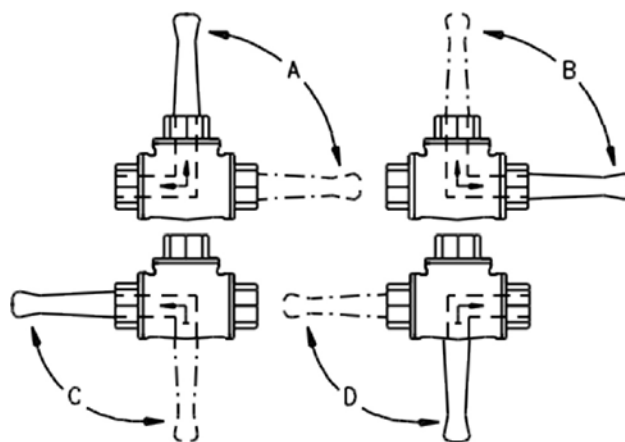
### Approved By:



NOTE: Approvals apply to specific configurations only.



s.100 3-way T port



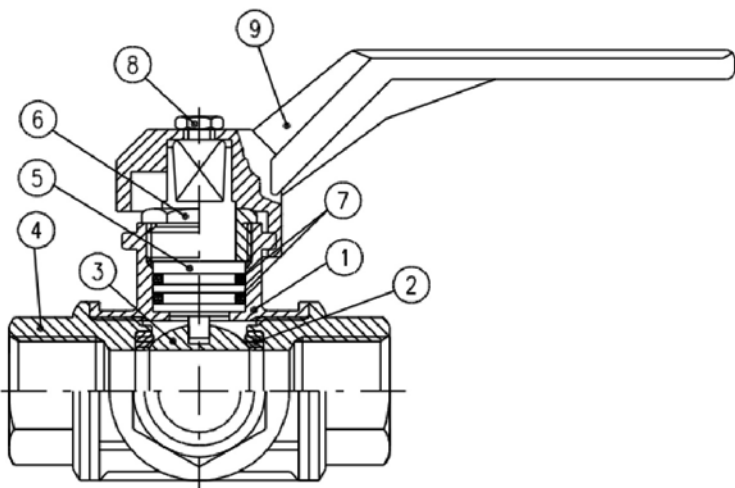
s.101 3-way L port

# s.100 / s.101

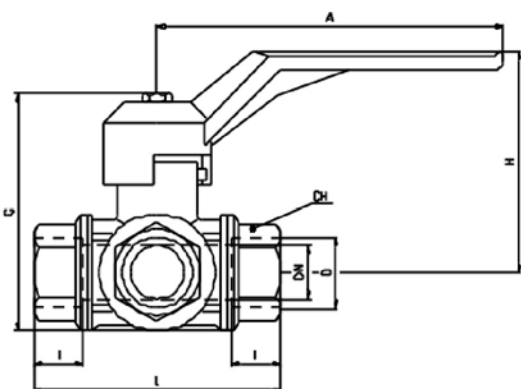
## 3-way hot forged 1/4"-2" brass ball valves



### Technical Specifications:



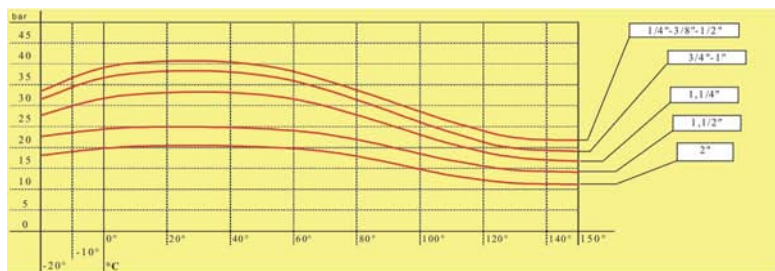
PART DESCRIPTION		Q.ty	Material
1	Nickel plated body	1	CW617N
2	Seat	4	Ptfe
3	Chrome plated ball	1	CW617N
4	Nickel plated end cap	3	CW617N
5	Nickel plated stem O-ring design	1	CW614N
6	Nickel plated nut	1	CW614N
7	O-ring	2	NBR
8	Screw	1	Steel
9	Red handle	1	Aluminium



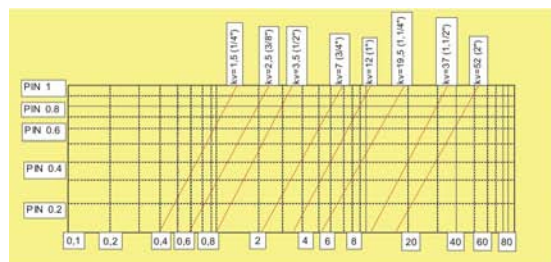
Code	100B00	100C00	100D00	100E00	100F00	100G00	100H00	100I00
	101B00	101C00	101D00	101E00	101F00	101G00	101H00	101I00
D (inch)	1/4	3/8	1/2	3/4	1	1 1/4	1 1/2	2
DN (mm)	10	12	14	18	23	29	36	45
I (mm)	19	19	19	23	25	27	31	36
L (mm)	77	77	77	92	104	118	138	162
G (mm)	75	75	75	91	105	115	128	165
A (mm)	125	125	125	145	170	170	170	260
H (mm)	65	65	65	83	96	102	109	139
CH (mm)	22	22	27	34	41	50	57	70

Ask for additional information on the whole range of **RuB** valves and consult with your supplier for special applications.

**Pressure - Temperature Chart**



**Pressure Drop Chart**



The company reserves all rights for the information contained herein. Products may be changed at any time without notice. Any undated reference to a code or standard shall be interpreted as referring to the latest edition. RuB and logo are registered trademark of RuB-Rubinetteria utensilerie Bonomi. Others logos are property of respective owners.

**RUB RUBINETTERIE UTENSILERIE BONOMI**

Via Padana Superiore 27/29 25080 Ciliverghe di Mazzano (Bs) Italy  
Ph: +39 030 212441 - Fax: +39 030 2629498  
sales@rubvalves.com - www.rubvalves.com

