

FIG.272



 **FLOAT VALVE zFLO**

ΦΛΟΤΕΡΟΒΑΝΕΣ ΧΥΤΟΣΙΔΗΡΕΣ



Body material	Nominal pressure	Nominal diameter	Max. temperature
A Grey cast iron	B 10 bar	DN 25-200	90°C

FEATURES

- high tightness (leakproofness class - A acc. to EN - 12266 - 1)
- environment-friendly
- no maintenance
- flanges drilled according to EN 1092-2
- face-to-face dimension according to EN 558-1 series 1

APPLICATION

media



INDUSTRIAL
WATER



NEUTRAL FLUIDS

Data given can be changed without notice.

Edition 01/2018

ZETKAMA Sp. z o.o.
Ul. 3 Maja 12
PL 57-410 Ścinawka Średnia

Tel. +48 74 8652 193
Tel. +48 74 8652 111
Fax +48 74 8652 199

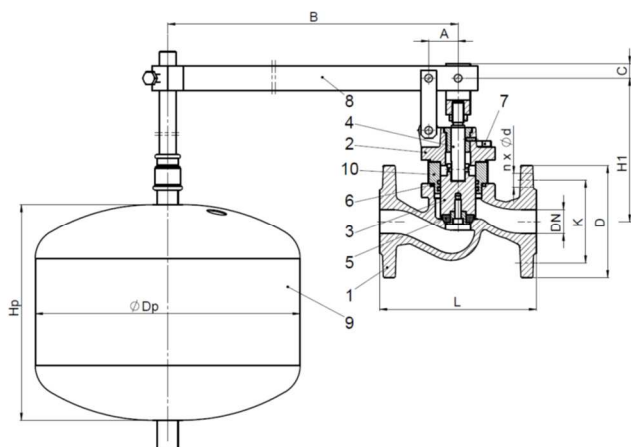
E-mail spkraj@zetskama.com.pl
www.zetskama.com

FIG.272

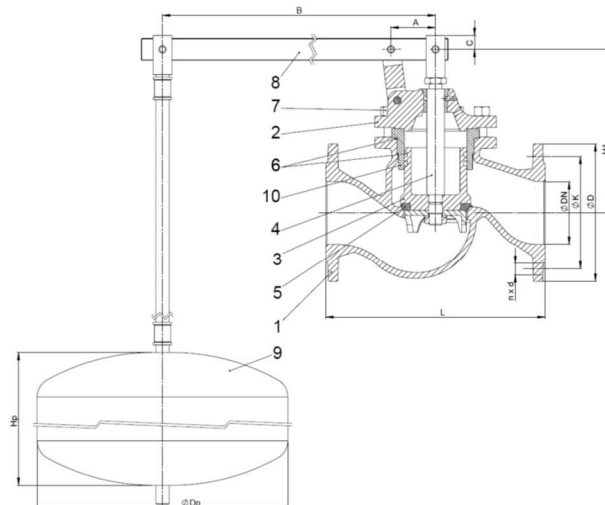


MATERIALS, DIMENSIONS

DN 25-80



DN 100-200



Body material		A
Type		16
1	Body	EN-GJL-250 5.1301 (ex. JL1040)
2	Cover	EN-GJL-250 5.1301 (ex. JL1040)
3	Disc	X20Cr13 1.4021
4	Stem	X20Cr13 1.4021
5	Disc gasket	EPDM
6	Packing ring	EPDM
7	Hexagon bolt	5.6 – A3A
8	Lever	S235JR Zinc
9	Float	S235JR Epoxide
10	Piston sleeve	CuZn39Pb2 (CuSn11P-C for DN ≥ 100)
Max. temperature		90°C

DN	25	32	40	50	65	80	100	125	150	200
L (mm)	160	180	200	230	290	310	350	400	480	600
A (mm)	30	30	35	35	45	55	71	87	102	138
B (mm)	700	700	700	700	700	800	975	1190	1305	1590
C (mm)	15	15	15	15	15	15	25	25	25	25
H1 (mm)	146	155	166	175	221	249	260	320	385	420
Hp (mm)	220	220	200	200	250	250	300	300	300	400
Dp (mm)	270	270	350	350	400	400	400	500	500	500
K _{vs} (m ³ /h)	13	18,3	29,2	39,8	72,8	99,3	158,3	243,1	327,6	579,9
Weight (kg)	9,5	10,7	17,0	20,0	26,0	32,5	47,0	69,0	98,0	149,0

Data given can be changed without notice.

Edition 01/2018

ZETKAMA Sp. z o.o.
Ul. 3 Maja 12
PL 57-410 Ścinawka Średnia

Tel. +48 74 8652 193
Tel. +48 74 8652 111
Fax +48 74 8652 199

E-mail spkraj@zetskama.com.pl
www.zetskama.com

FIG.272



PRESSURE-TEMPERATURE RATINGS

Acc. EN 1092-2	PN		-10°C ÷ 90°C
EN-GJL-250	10	bar	10

FLANGE DIMENSIONS ACC. PN-EN 1092-2

DN		25	32	40	50	65	80	100	125	150	200
PN10	D (mm)	115	140	150	165	185	200	220	250	285	340
	K (mm)	85	100	110	125	145	160	180	210	240	295
	n x d (mm)	4x14	4x19	4x19	4x19	4x19	8x19	8x19	8x19	8x23	8x23

Data given can be changed without notice.

Edition 01/2018

ZETKAMA Sp. z o.o.
Ul. 3 Maja 12
PL 57-410 Ścinawka Średnia

Tel. +48 74 8652 193
Tel. +48 74 8652 111
Fax +48 74 8652 199

E-mail spkraj@zetskama.com.pl
www.zetskama.com

FIG.272



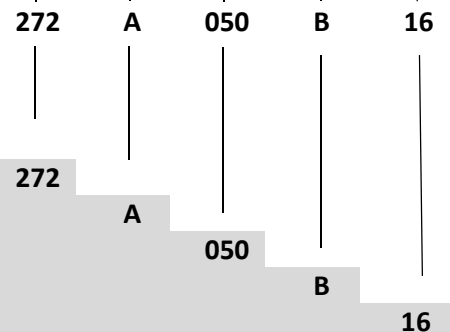
TYPE

Figure	Body material	Nominal diameter	Nominal pressure	Type
272	A Grey cast iron EN-GJL-250	25-200 mm	B 10 bar	16 stem, disc, seat ring - stainless steel; disc ring of EPDM
				16-D stem, disc, seat ring - stainless steel; disc ring of EPDM; epoxyd painted

ORDERING

Figure	Body material	Nominal diameter	Nominal pressure	Type
272	A Grey cast iron EN-GJL-250	15-200 mm	B 10 bar	16 stem, disc, seat ring - stainless steel; disc ring of EPDM

Order example acc. index



Float valves; ends flange, form straight
 Grey cast iron EN-GJL-250
 Nominal diameter (mm)
 Nominal pressure PN 10
 Stem, disc, seat ring - stainless steel; disc ring of EPDM

Data given can be changed without notice.

Edition 01/2018

ZETKAMA Sp. z o.o.
 Ul. 3 Maja 12
 PL 57-410 Ścinawka Średnia

Tel. +48 74 8652 193
 Tel. +48 74 8652 111
 Fax +48 74 8652 199

E-mail spkraj@zetkama.com.pl
 www.zetkama.com