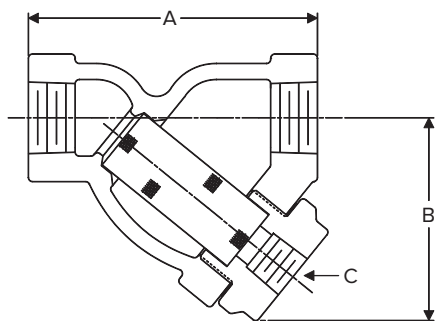




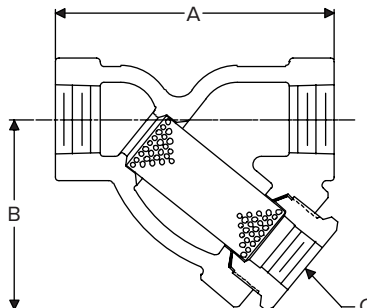
Cast Iron 250 lb Screwed 1/2" - 3"



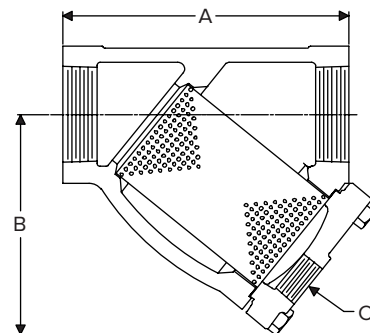
CHRYSSAFIDIS



CA1SC 1/2", 3/4", 1", 1-1/2", 2"



CA1SC 1-1/4"

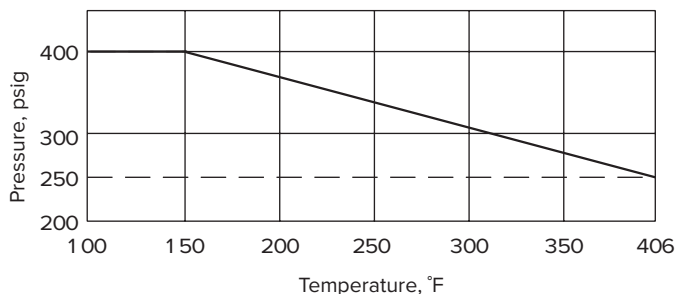


A1SC 2-1/2", 3"

For a fully detailed certified drawing, refer to:
CA1SC 1/2", 3/4", 1", 1-1/4", 1-1/2", 2"
A1SC 2-1/2", 3"

CD #1111
CD #1043

Pressure/Temperature Rating



Strainers

Materials: 250 lb Screwed 1/2" - 3" (15 - 80 mm)

Connections Size		Body	Standard Screen	Screen Retainer	Gasket	Bolting
in	mm					
1/2, 3/4	15, 20	ASTM A48 Class 30 Cast Iron	304 SS .045" perforated† CA41SC: 304 SS 30 mesh	ASTM A48 Class 30 Cast Iron	Spiral Wound	N/A
1, 1-1/2, 2	25, 40, 50					
1-1/4	32				Soft Steel	
2-1/2, 3	65, 80				Non-asbestos	

*NOTE: Other screen materials available. See page 435.

Physical Data: 250 lb Screwed 1/2" - 3" (15 - 80 mm)

Size		Ordering Code, Standard Screen	Weight		Dimensions						Maximum Pressure				Screen Retainer Type	Connections
					A		B		C		Saturated Steam		150°F (66°C) non-shock			
in	mm		lb	kg	in	mm	in	mm	in	mm	psig	barg	psig	barg		
1/2	15	CA1SC	3	1.4	4-1/4	108	3	76	3/8	9.5	250	17	400	28	Threaded	ANSI B1.20.1 Screwed
3/4	20															
1	25															
1-1/4	32								1/2	15						
1-1/2	40															
2	50															
2-1/2	65	A1SC	24-1/2	11	8-1/2	216	6-7/16	164	3/4	20					Bolted	
3	80								1-1/4	32						

Designs, materials, weights and performance ratings are approximate and subject to change without notice. Visit armstronginternational.com for up-to-date information.