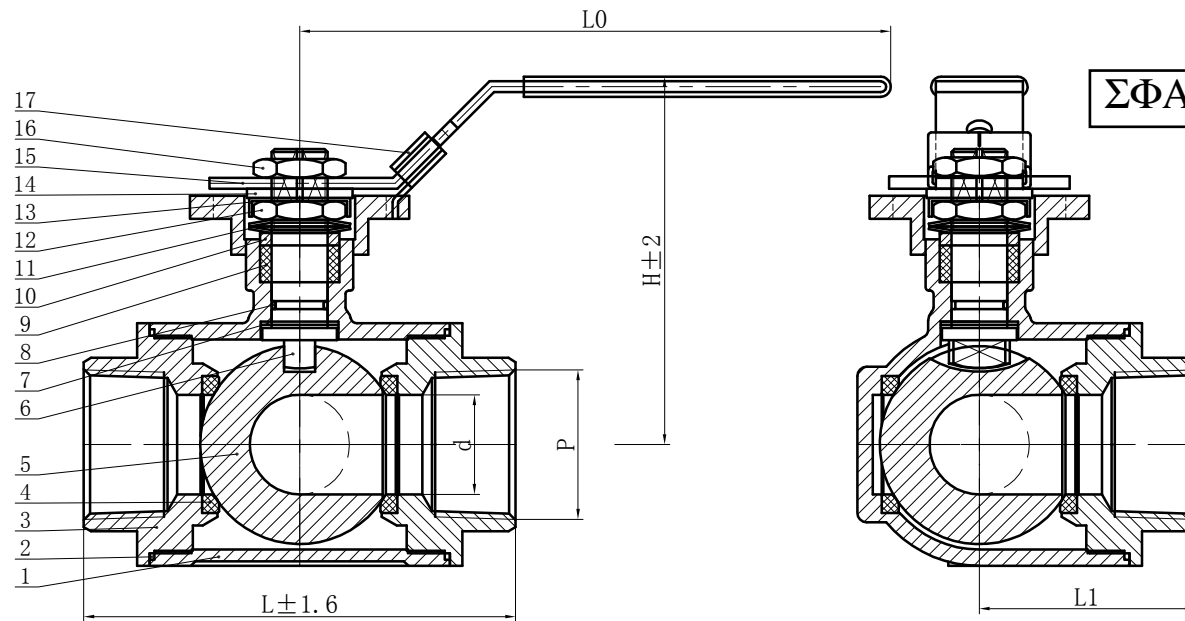
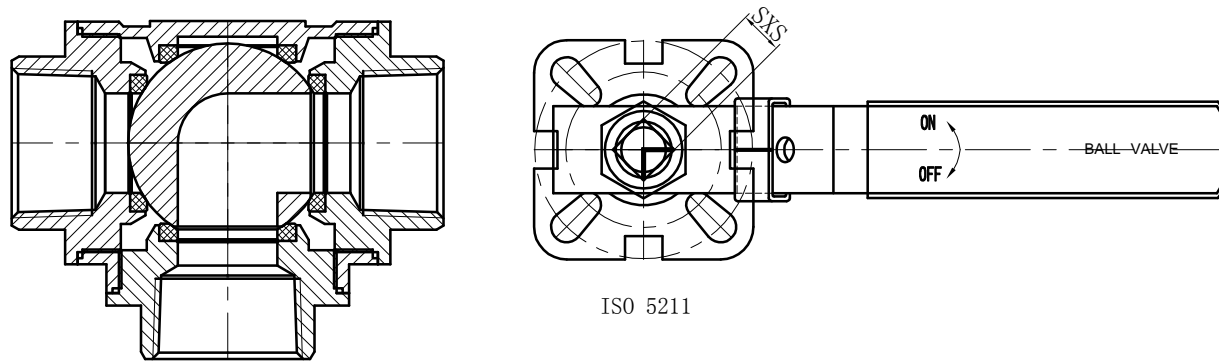


ΣΦΑΙΡΙΚΟΙ ΚΡΟΥΝΟΙ 316 3 –ΟΔΟΙ Μ.Δ.



- The technical requirements
- 1、 Design and manufacture according to manufacturer's standard;
 - 2、 End thread connections: P(BSP/NPT) - according to the requirements of the order processing;
 - 3、 End to end according to manufacturer standards;
 - 4、 Sealing test (gas) : 0.6 ~ 0.8 MPa.



17	Lock	SS
16	Nut	A2-70
15	Handle	201
14	Washer	SS
13	Washer	SS
12	Nut	A2-70
11	Disc spring	304/316
10	Gland	304/316
9	Packing	PTFE
8	O-ring	VITON
7	Washer	PTFE
6	Stem	304/316
5	Ball	304/316
4	Seat	PTFE
3	End cap	CF8/CF8M
2	Gasket	PTFE
1	Body	CF8/CF8M
NO.	PART NAME	MATERIAL

NPS	DN	d	L	L1	L0	H	SXS	ISO5211
1/4	8	-	-	-	-	-	-	-
3/8	10	-	-	-	-	-	-	-
1/2	15	12	69	34.5	110	66	9X9	F03/F04
3/4	20	15	83	41.5	126	71	9X9	F03/F04
1	25	18	89	44.5	-	-	11X11	F04/F05
1 1/4	32	25	120	60	150	94	11X11	F04/F05
1 1/2	40	32	139	69.5	190	118	14X14	F05/F07
2	50	38	152	76	-	-	14X14	F05/F07
2 1/2	65	62	199	99.5	250	156	17X17	F07/F10
3	80	76	235	117.5	-	-	17X17	F07/F10
4	100	100	272	136	-	-	17X17	F07/F10



MARK	QTY	FILE NO.	SIGN	DATE	Sample		
DESIGN		DATE	170704	PATTERN MARKER	EDITION	SCALE	BALL VALVE(L-type)
CHECK		DATE			01	1:1	
AUDIT		DATE		SHEET			Q14F-1000PSI-00
APPROVE		DATE					

CHECKED BY
OLD DRAWING NO.
BASED DRAWING NO.
SIGN
DATE