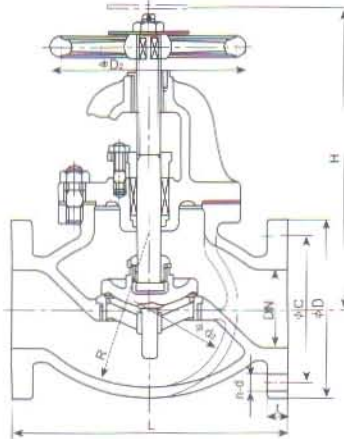


KOWO


CHRYSSAFIDIS

5K 船用法兰铸铁截止阀

5K 船用法兰铸铁截止止回阀

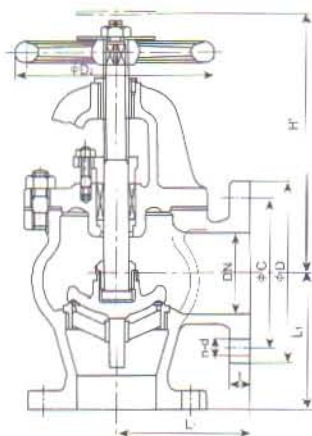


MAIN DATA (mm)

DN	L	D	C	n-d	t	H	D ₂	d ₂	R	Weight (kg)
50	210	130	105	4-15	16	270	160	110	110	14.7
65	250	155	130	4-15	18	300	180	135	135	21.3
80	280	180	145	4-19	18	310	180	160	160	27.7
100	340	200	165	8-19	20	360	224	195	195	40.8
125	410	235	200	8-19	20	390	250	240	240	57.6
150	480	265	230	8-19	22	445	280	260	260	80.3
200	570	320	280	8-23	24	530	315	365	365	139
250	740	365	345	12-23	26	650	355	460	460	246
300	800	430	390	12-23	28	740	400	560	560	377

Marine Cast Iron Globe Valves JIS F7305 5K

Marine Cast Iron Screw Down Check Globe Valves JIS F7353 5K



MAIN DATA (mm)

DN	L	D	C	n-d	t	H	D ₂	Weight (kg)
50	100	130	105	4-15	16	240	160	12.9
65	115	155	130	4-15	18	255	180	18.2
80	130	180	145	4-19	18	265	180	23.4
100	150	200	165	8-19	20	310	224	33.7
125	170	235	200	8-19	20	330	250	46.2
150	190	265	230	8-19	22	380	280	63.4
200	220	320	280	8-23	24	450	315	105
250	275	385	345	12-23	26	540	355	176
300	310	430	390	12-23	28	610	400	243

Marine Cast Iron Angle Valves JIS F7306 5K

Marine Cast Iron Screw Down Check Angle Valves JIS F7354 5K

Capability:

Nominal Pressure	5kgf/cm ² (0.49Mpa)
Seal Pressure	7.7kgf/cm ² (0.761Mpa)
Intensity Pressure	10.5kgf/cm ² (1.03Mpa)

Medium	Max Pressure kgf/cm ² (Mpa)
Steam ≤ 205°C	5 (0.49)
Air & gas	
Oil & flow water	7 (0.69)
Lentic water ≤ 120°C	

Materials of Body/Trim:

Part name	Material			
	Name	Mark (B)	Name	Mark (S)
Body, Bonnet	CI/DI	HT200.QT400-15	CI/DI	HT200.QT400-15
Disc, Seat	Cast bronze	ZCuSn5Pb5Zn5	Stainless steel	2cr13
Stem	Bronze	QA1 9-2	Stainless steel	2cr13
Packing	Flexible graphite		Flexible graphite	