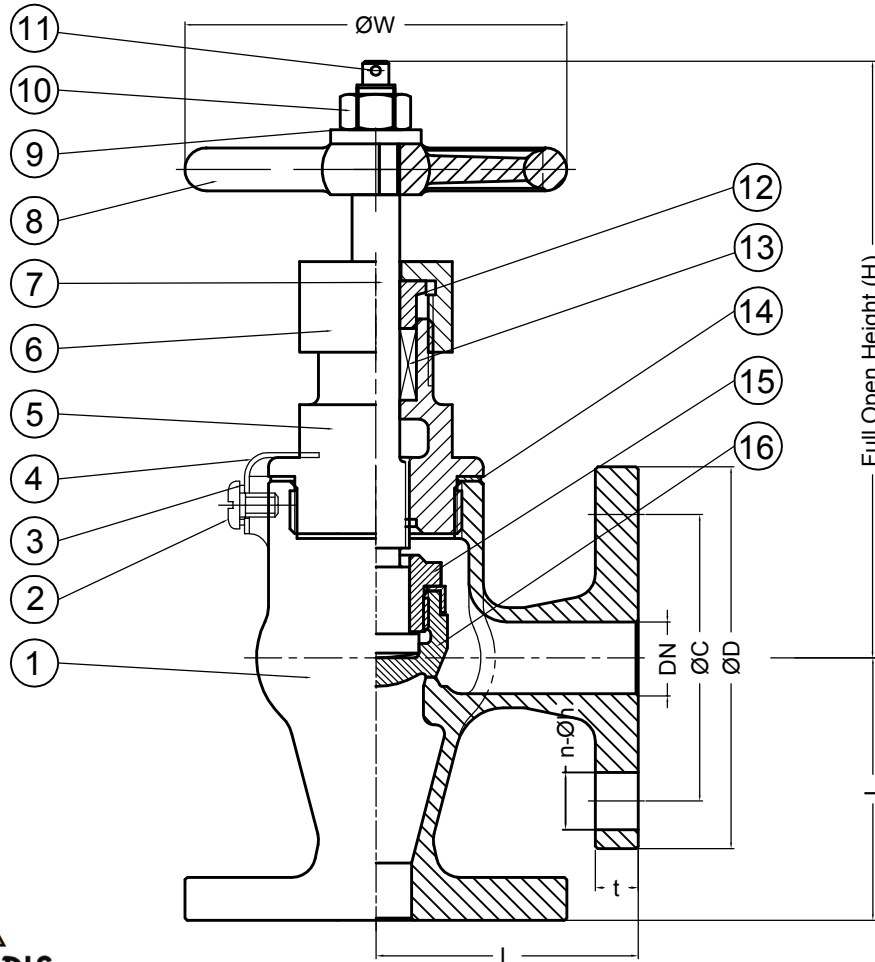


## ΓΩΝΙΑΚΑ ΜΠΡΟΥΤΖΙΝΑ ΕΠΙΣΤΟΜΙΑ 16K

HYDRAULIC INSPECTION



TEST PRESSURE	BODY	3.24MPa
	SEAT	2.37MPa

PRESSURE RATING

FLUID CONDITION	MAXIMUM WORKING PRESSURE
STEAM OF 205°C OR LESS	1.57MPa
AIR, GAS, OIL AND PULSATION WATER	
NON-SHOCK WATER OF 120°C OR LESS	2.16MPa

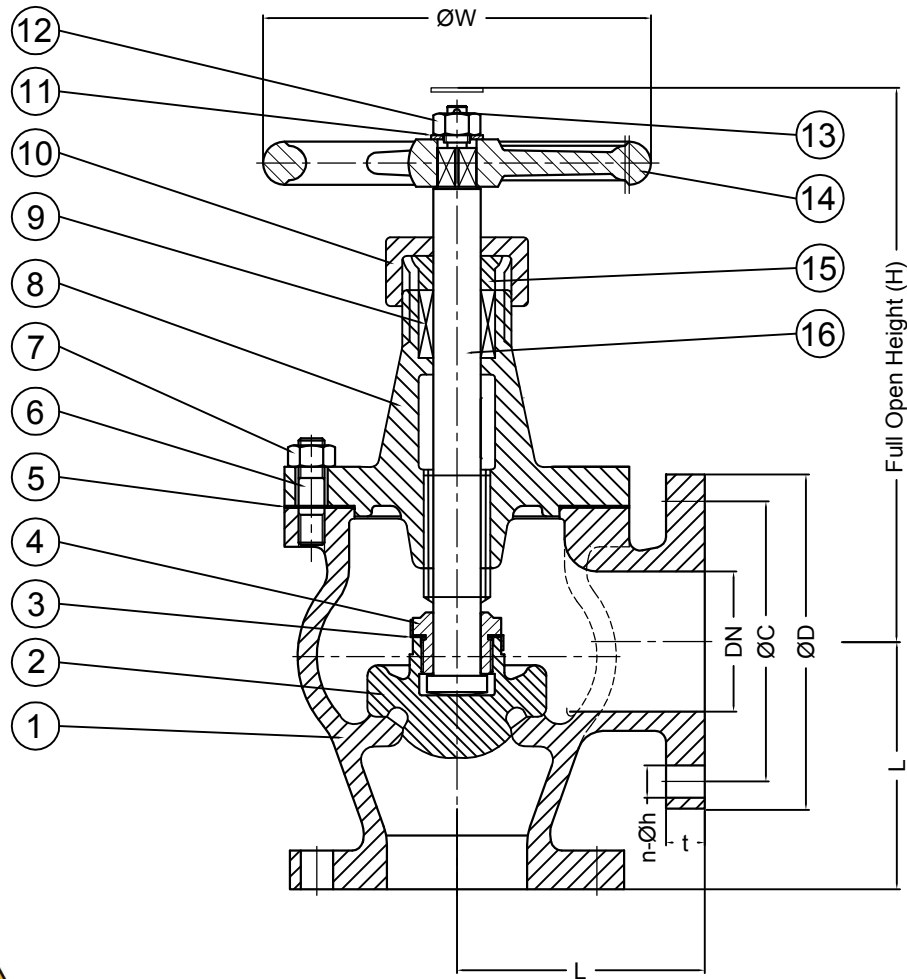
16	DISC	CAST BRONZE	BC6
15	DISC NUT	FORGED BRASS	C3771BD
14	GASKET	NON-ASBESTOS	
13	PACKING	FLEXIBLE GRAPHITE	
12	PACKING GLAND	FORGED BRASS	C3771BD
11	SPLIT PIN	STAINLESS STEEL	SS304
10	HEXAGON NUT	GALV' STEEL	SS400
9	WASHER	STEEL	SS400
8	HAND WHEEL	CAST IRON	FC200
7	STEM	FORGED BRASS	C3771BD
6	GLAND NUT	FORGED BRASS	C3771BD
5	BONNET	CAST BRONZE	BC6
4	LOCK PLATE	COPPER ALLOY	C2600P
3	WASHER	STEEL	SS400
2	SET SCREW	COPPER ALLOY	C2700W
1	BODY	CAST BRONZE	BC6
NO.	NAME OF PART	MATERIAL	MARK



## MAIN DIMENSION FOR CONNECTING mm

MODEL	PN/DN	FACE TO FACE	FLANGE DIMENSIONS				WIDTH	HEIGHT	WEIGHT
		L	ØD	ØC	n-Øh	t	ØW	H	kg
F7304	16K15	70	95	70	4*15	12	80	120	2.73
F7304	16K20	75	100	75	4*15	14	100	130	3.65
F7304	16K25	85	125	90	4*19	14	125	145	5.16
F7304	16K32	95	135	100	4*19	16	125	150	6.72
F7304	16K40	100	140	105	4*19	16	140	165	8.13

REV	DATE	DESCRIPTION OF REASON	DWG	CHK'D	APP'D
DESCRIPTION		JIS F7304 16K CAST BRONZE ANGLE VALVES			
DWG	CHK'D	APP'D	SCALE	NON	
Ding Lee	KIM	Bing.	UNIT	mm	
DATE	Mar.05,2016	DWG NO.		REV	0



**HYDRAULIC INSPECTION**

TEST PRESSURE	BODY	3.24MPa
	SEAT	2.37MPa

**PRESSURE RATING**

FLUID CONDITION	MAXIMUM WORKING PRESSURE
STEAM OF 205°C OR LESS	1.57MPa
AIR,GAS,OIL AND PULSATION WATER	
NON-SHOCK WATER OF 120°C OR LESS	2.16MPa

16	STEM	FORGED BRASS	C3771BD
15	PACKING GLAND	FORGED BRASS	C3771BD
14	HAND WHEEL	CAST IRON	FC200
13	SPLIT PIN	STAINLESS STEEL	SS304
12	HEXAGON NUT	GALV' STEEL	SS400
11	WASHER	STEEL	SS400
10	GLAND NUT	FORGED BRASS	C3771BD
9	PACKING	FLEXIBLE GRAPHITE	
8	BONNET	CAST BRONZE	BC6
7	HEXAGON NUT	GALV' STEEL	SS400
6	STUD BOLT	GALV' STEEL	SS400
5	GASKET	NON-ASBESTOS	
4	DISC NUT	FORGED BRASS	C3771BD
3	DISC LOCK WASHER	COPPER ALLOY	C2600P
2	DISC	CAST BRONZE	BC6
1	BODY	CAST BRONZE	BC6

NO.	NAME OF PART	MATERIAL	MARK		
REV	DATE	DESCRIPTION OF REASON	DWG	CHK'D	APP'D
DESCRIPTION		JIS F7304 16K CAST BRONZE ANGLE VALVES			
DWG	CHK'D	APP'D	SCALE	NON	
Bing Lee	KIM	Bing.	UNIT	mm	
DATE	Mar.05,2016	DWG NO.		REV	0



**MAIN DIMENSION FOR CONNECTING mm**

MODEL	PN/DN	FACE TO FACE	FLANGE DIMENSIONS				WIDTH	HEIGHT	WEIGHT
		L	ØD	ØC	n-Øh	t	ØW	H	kg
F7304	16K50	120	155	120	8*19	18	140	200	14.08
F7304	16K65	130	175	140	8*19	18	160	220	19.60