

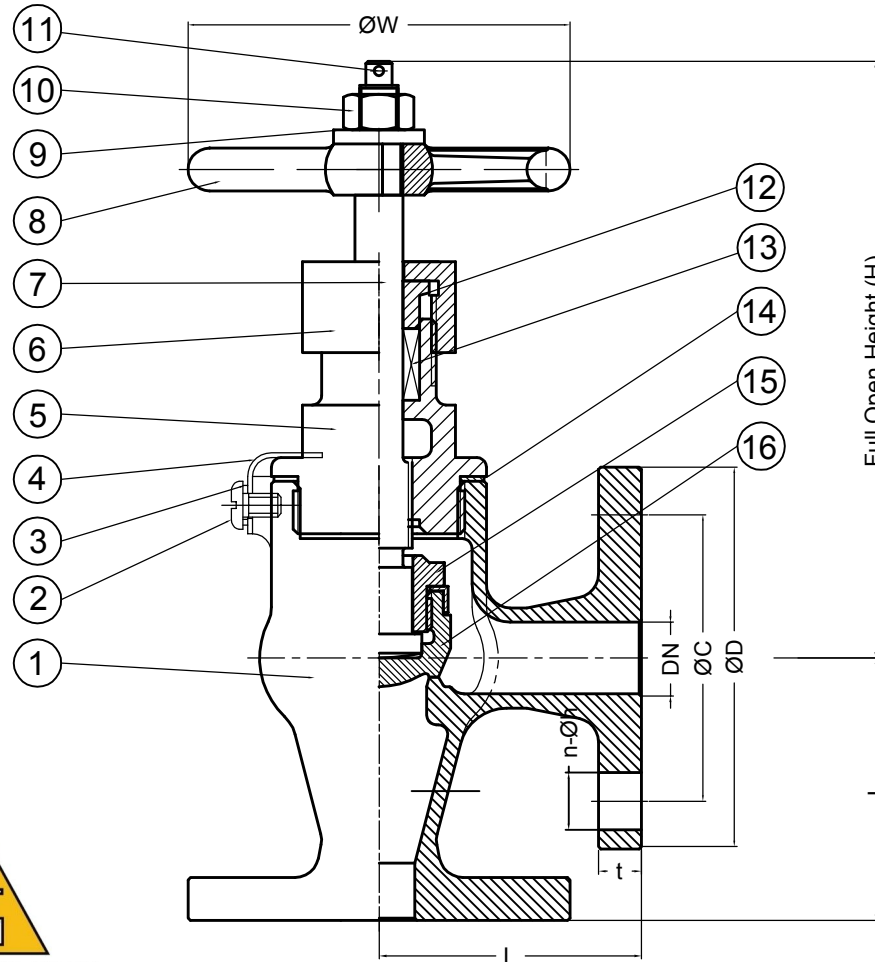
ΓΩΝΙΑΚΑ ΜΠΡΟΥΤΖΙΝΑ ΕΠΙΣΤΟΜΙΑ 5K

HYDRAULIC INSPECTION

|               |      |         |
|---------------|------|---------|
| TEST PRESSURE | BODY | 1.03MPa |
|               | SEAT | 0.76MPa |

PRESSURE RATING

|                                  |                          |
|----------------------------------|--------------------------|
| FLUID CONDITION                  | MAXIMUM WORKING PRESSURE |
| STEAM OF 205°C OR LESS           | 0.49MPa                  |
| AIR,GAS,OIL AND PULSATION WATER  |                          |
| NON-SHOCK WATER OF 120°C OR LESS | 0.69MPa                  |



Full Open Height (H)

L



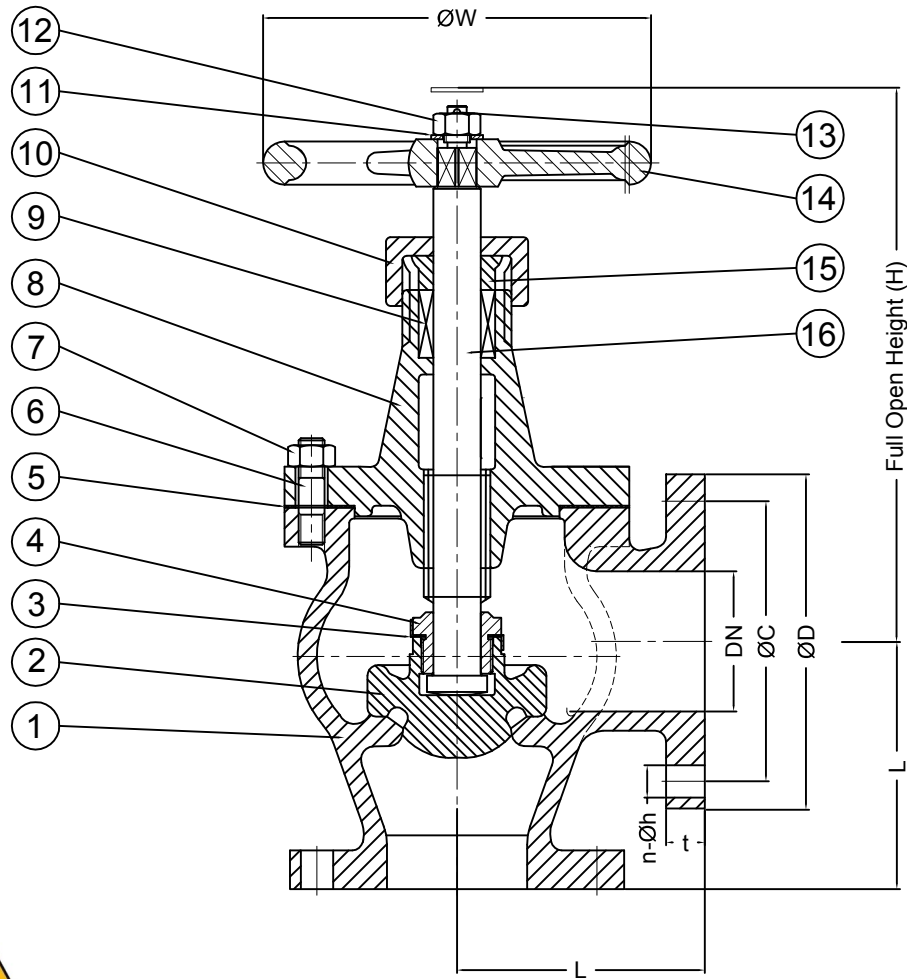
CHRYSSAFIDIS

MAIN DIMENSION FOR CONNECTING mm

| MODEL | PN/DN | FACE TO FACE | FLANGE DIMENSIONS |    |      |    | WIDTH | HEIGHT | WEIGHT |
|-------|-------|--------------|-------------------|----|------|----|-------|--------|--------|
|       |       | L            | ØD                | ØC | n-Øh | t  | ØW    | H      | kg     |
| F7302 | 5K15  | 55           | 80                | 60 | 4*12 | 9  | 80    | 120    | 1.98   |
| F7302 | 5K20  | 60           | 85                | 65 | 4*12 | 10 | 100   | 130    | 2.73   |
| F7302 | 5K25  | 65           | 95                | 75 | 4*12 | 10 | 125   | 145    | 3.44   |
| F7302 | 5K32  | 80           | 115               | 90 | 4*15 | 12 | 125   | 150    | 4.77   |
| F7302 | 5K40  | 85           | 120               | 95 | 4*15 | 12 | 140   | 165    | 5.99   |

| NO. | NAME OF PART  | MATERIAL          | MARK    |
|-----|---------------|-------------------|---------|
| 16  | DISC          | CAST BRONZE       | BC6     |
| 15  | DISC NUT      | FORGED BRASS      | C3771BD |
| 14  | GASKET        | NON-ASBESTOS      |         |
| 13  | PACKING       | FLEXIBLE GRAPHITE |         |
| 12  | PACKING GLAND | FORGED BRASS      | C3771BD |
| 11  | SPLIT PIN     | STAINLESS STEEL   | SS304   |
| 10  | HEXAGON NUT   | GALV' STEEL       | SS400   |
| 9   | WASHER        | STEEL             | SS400   |
| 8   | HAND WEHEEL   | CAST IRON         | FC200   |
| 7   | STEM          | FORGED BRASS      | C3771BD |
| 6   | GLAND NUT     | FORGED BRASS      | C3771BD |
| 5   | BONNET        | CAST BRONZE       | BC6     |
| 4   | LOCK PLATE    | COPPER ALLOY      | C2600P  |
| 3   | WASHER        | STEEL             | SS400   |
| 2   | SET SCREW     | COPPER ALLOY      | C2700W  |
| 1   | BODY          | CAST BRONZE       | BC6     |

| REV         | DATE        | DESCRIPTION OF REASON                 | DWG   | CHK'D | APP'D |
|-------------|-------------|---------------------------------------|-------|-------|-------|
|             |             |                                       |       |       |       |
| DESCRIPTION |             | JIS F7302 5K CAST BRONZE ANGLE VALVES |       |       |       |
| DWG         | CHK'D       | APP'D                                 | SCALE | NON   |       |
| Bing Lee    | KIM         | Bing.                                 | UNIT  | mm    |       |
| DATE        | Mar.05,2016 | DWG NO.                               |       | REV 0 |       |



**HYDRAULIC INSPECTION**

|               |      |         |
|---------------|------|---------|
| TEST PRESSURE | BODY | 1.03MPa |
|               | SEAT | 0.76MPa |

**PRESSURE RATING**

| FLUID CONDITION                  | MAXIMUM WORKING PRESSURE |
|----------------------------------|--------------------------|
| STEAM OF 205°C OR LESS           | 0.49MPa                  |
| AIR,GAS,OIL AND PULSATION WATER  |                          |
| NON-SHOCK WATER OF 120°C OR LESS | 0.69MPa                  |

|    |                  |                   |         |
|----|------------------|-------------------|---------|
| 16 | STEM             | FORGED BRASS      | C3771BD |
| 15 | PACKING GLAND    | FORGED BRASS      | C3771BD |
| 14 | HAND WHEEL       | CAST IRON         | FC200   |
| 13 | SPLIT PIN        | STAINLESS STEEL   | SS304   |
| 12 | HEXAGON NUT      | GALV' STEEL       | SS400   |
| 11 | WASHER           | STEEL             | SS400   |
| 10 | GLAND NUT        | FORGED BRASS      | C3771BD |
| 9  | PACKING          | FLEXIBLE GRAPHITE |         |
| 8  | BONNET           | CAST BRONZE       | BC6     |
| 7  | HEXAGON NUT      | GALV' STEEL       | SS400   |
| 6  | STUD BOLT        | GALV' STEEL       | SS400   |
| 5  | GASKET           | NON-ASBESTOS      |         |
| 4  | DISC NUT         | FORGED BRASS      | C3771BD |
| 3  | DISC LOCK WASHER | COPPER ALLOY      | C2600P  |
| 2  | DISC             | CAST BRONZE       | BC6     |
| 1  | BODY             | CAST BRONZE       | BC6     |

| NO.         | NAME OF PART | MATERIAL                              | MARK  |       |       |
|-------------|--------------|---------------------------------------|-------|-------|-------|
| REV         | DATE         | DESCRIPTION OF REASON                 | DWG   | CHK'D | APP'D |
| DESCRIPTION |              | JIS F7302 5K CAST BRONZE ANGLE VALVES |       |       |       |
| DWG         | CHK'D        | APP'D                                 | SCALE | NON   |       |
| Bing Lee    | KIM          | Bing.                                 | UNIT  | mm    |       |
| DATE        | Mar.05,2016  | DWG NO.                               |       | REV   | 0     |



**MAIN DIMENSION FOR CONNECTING mm**

| MODEL | PN/DN | FACE TO FACE | FLANGE DIMENSIONS |     |      |    | WIDTH | HEIGHT | WEIGHT |
|-------|-------|--------------|-------------------|-----|------|----|-------|--------|--------|
|       |       | L            | ØD                | ØC  | n-Øh | t  | ØW    | H      | kg     |
| F7302 | 5K50  | 100          | 130               | 105 | 4*15 | 14 | 140   | 200    | 10.10  |
| F7302 | 5K65  | 115          | 155               | 130 | 4*15 | 14 | 160   | 220    | 15.60  |