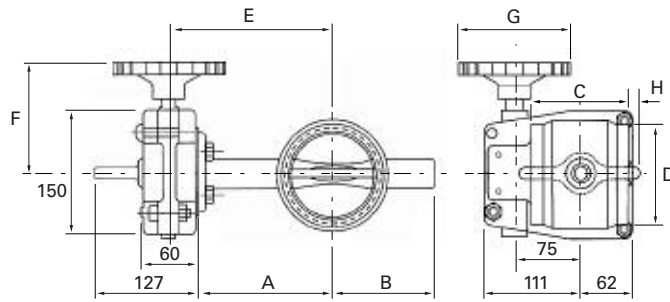


FIG. HPG



Tyco BSP Article Number* (including Switches)	Nominal Size mm Inches	Pipe OD mm	Max. Wk Pressure Bar Psi	A	B	C	E	F	G	H	Approx Weight Kg
				mm	mm	mm	mm	mm	mm	mm	
HPGS073	65 2 1/2	73.0	20.7 300	105	85	97	135	128	128	-	9.5
HPGS076	65 2 1/2	76.1	20.7 300	105	85	97	135	128	128	-	9.5
HPGS089	80 3	88.9	20.7 300	112	92	97	142	128	128	-	9.9
HPGS114	100 4	114.3	20.7 300	145	108	116	175	128	128	-	11.6
HPGS165	150 6	165.1	20.7 300	180	145	132	210	220	220	7	18.2
HPGS168	150 6	168.3	20.7 300	180	145	132	210	220	220	7	18.2
HPGS219	200 8	219.1	20.7 300	204	170	147	234	220	220	24	20.5

* = for valves without switch replace GS by G.

Note: recommended for mounting with Grinnell Rigid couplings

General notes: It is the Designer's responsibility to select products suitable for the intended service and to ensure that pressure ratings and performance data is not exceeded. Always read and understand the installation constructions. Never remove any piping components nor correct or modify any piping deficiencies without first depressurizing and draining the system. Material and seat selection should be verified to be compatible for the specific application.



MATERIAL SPECIFICATION

Body: Ductile iron ASTM A-536 Nylon 11 coated
Disc: Ductile iron / EPDM coating

Control shaft: Stainless Steel AISI-420
Spindle: Stainless Steel AISI-420
O-ring: EPDM

TYCENMECH-xxx Tyco reserves the right to change the contents without notice