



Gate Valve 800Lb

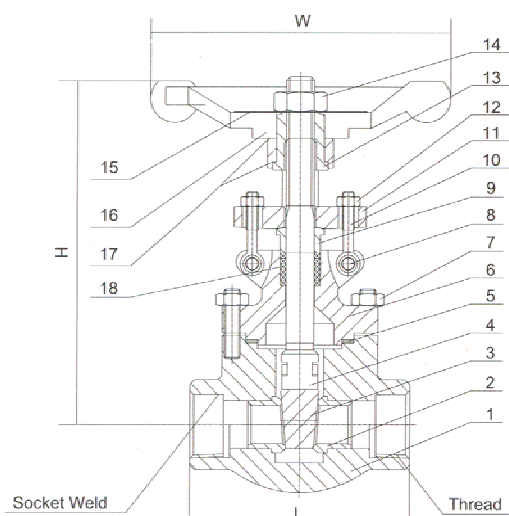


FIG NO: TH: 610118
SW: 610128

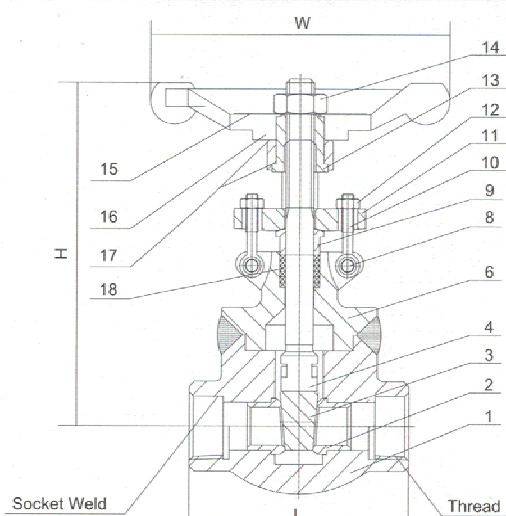


FIG NO: TH: 610218
SW: 610228

Standard Material Specifications

NO.	Part Name	CS To ASTM	AS To ASTM	SS To ASTM	
		Type A105	Type LF2	Type F304(L)	Type F316(L)
1	Body	A105	A182 LF2	A182 F304(L)	A182 F316(L)
2	Seat Ring	A276 420	A276 304	A276 304(L)	A276 316(L)
3	Wedge	A276 430&410	A182 F304	A182 F304(L)	A182 F316(L)
4	Stem	A182 F6	A182 F304	A182 F304(L)	A182 F316(L)
5	Gasket	Corrugated SS+graphite		SS+PTFE	
6	Bonnet	A105	A182 LF2	A182 F304(L)	A182 F316(L)
7	Bonnet Bolt	A193 B7	A193 B16	A193 B8	A193 B8M
8	Pin	A276 420		A182 F304	
9	Gland	A276 410		A182 F304(L)	A182 F316(L)
10	Gland Eyebolt	A193 B7	A193 B16	A193 B8	A193 B8M
11	Gland Flange	A105	A182 F11	A182 F304(L)	A182 F316(L)
12	Gland Nut	A194 2H	A194 4	A194 8	A194 8M
13	Yoke Nut	A276 420			
14	H.W.Lock Nut	A194 2H	A194 4	A194 8	A194 8M
15	Nameplate	SS			
16	Handwheel	A197			
17	Bearing Gasket	A473 431			
18	Stem Packing	Flexible Graphite		PTFE	
Suitable Medium		W.O.G.etc	W.O.G.etc	HNO ₃ ,CH ₃ OOH etc	
Suitable Temperature		-29°C~425°C	-29°C~550°C	-29°C~180°C	

Note: Other materials are available upon request.

CS=Carbon Steel;AS=Alloy Steel;SS=Stainless Steel;

Dimensions(mm) and Weights(Kg)

NPS	Conv.	3/8"	1/2"	3/4"	1"	1 1/4"	1 1/2"	2"	
	Full		3/8"	1/2"	3/4"	1"	1 1/4"	1 1/2"	2"
L		79	79	92	111	120	120	140	178
H(OPEN)		158	158	169	197	236	246	283	330
W		100	100	100	125	160	160	180	200
Weights	Bolted	2.1	2.0	2.3	4.3	5.9	6.9	11.1	15.2
	Welded	1.8	1.7	2.0	3.8	5.1	6.1	10.2	14.2



DESIGN AND MANUFACTURE:

API 602, API 606, BS 5352, BS 6364, AND ASME B 16.34

TEST PRESSURE TO:

API 598 AND MARKING IS PER MSS SP-25

SOCKET WELD ENDS TO:

ASME B 16.11

SCREWED ENDS (NPT) TO:

ANSI/ASME B 1.20.1



CONSTRUCTION IS AS FOLLOWS:

- * FULL PORT OR CONVENTIONAL PORT
- * OUTSIDE SCREW AND YOKE (OS&Y)
- * TWO PIECE SELF ALIGNING PACKING GLAND
- * INTEGRAL BACKSEAT
- * BOLTED BONNET WITH SPIRAL-WOUND GASKET, THREADED AND -
- SEAL WELDED BONNET OR THREADED AND PRESSURE SEAL BONNET

ABOUT FORGED STEEL VALVES

Fluval valves are available in three bonnet designs. The first design is the Bolted Bonnet, with male-female joint, spiral wound gasket, made in F304L/graphite. Ring joint gasket are also available on request. The second design is the welded bonnet, with a threaded and seal welded joint. On request a full penetration strength welded joint is available. The third design is the pressure seal bonnet, with a threaded and pressure seal bonnet joint.

