



VALVES & ACTUATORS



PATENTED

Activolve[®]
Auto Water Shut-off

Activolve®

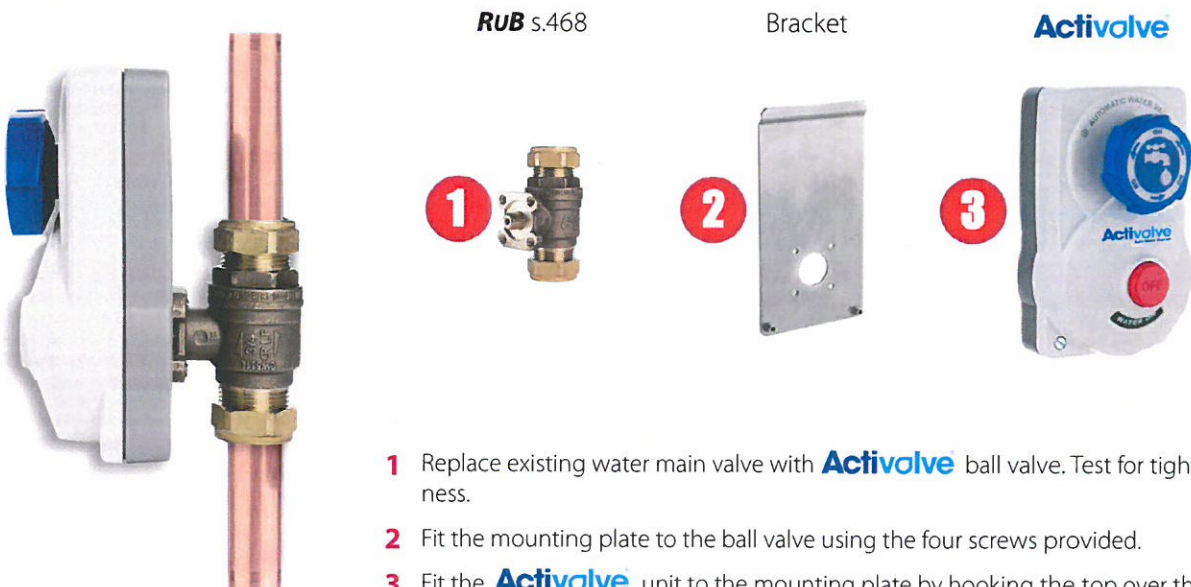
Auto Water Shut-off

Features:

- **Automatic shut off:** **Activolve** is a temperature sensitive device that will automatically turn off the main water supply before air temperature drops low enough for pipes to freeze and burst.
- **Easy to operate:** **Activolve** features a unique gearing system which enables easy operation allowing quick shut off of the main water valve.
- **Easy to identify:** **Activolve** is instantly identifiable as the main water supply control valve.
- **Visual ON-OFF indicator:** **Activolve** has a highly visible status window that indicates if the water is "ON" or "OFF".
- **Powerless operation:** **Activolve** operates without need for power or battery backup which is critical during power outages and is also very economical.
- **5 year warranty ***
- **Patented:** Innovative design, unique in the market, fears no comparison.



"Easy to install - Easy to operate"



- 1 Replace existing water main valve with **Activolve** ball valve. Test for tightness.
- 2 Fit the mounting plate to the ball valve using the four screws provided.
- 3 Fit the **Activolve** unit to the mounting plate by hooking the top over the plate and securing at the bottom using the two screws provided.

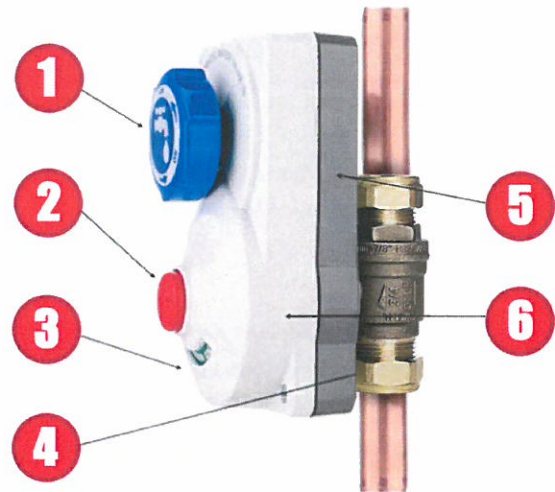
* See **RUB** terms & conditions

Activolve®

Auto Water Shut-off

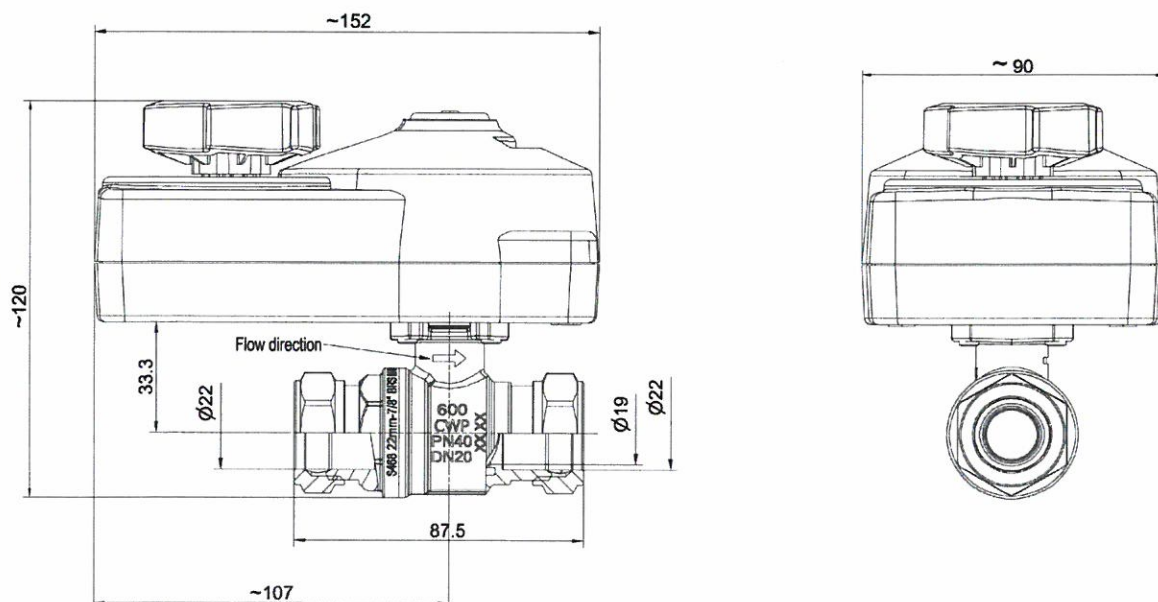
Technical Specifications:

1. **Valve Wheel:** Rotate counter clockwise to open valve.
2. **OFF Button:** Simply push button to turn water off.
3. **ON-OFF Indicator:** Indicator window shows if water flow is ON or OFF at a glance.
4. **Valve:** S.468 full port shut off ball valve suitable for drinking water: approvals pending.
5. **Temperature Sensor:** (located inside) Manufactured in compliance to ISO 9001:2008 & AS 9100 – Aerospace quality system standard.
6. **Spring:** (located inside) Highest quality stainless steel spring.



Actuator Nominal Dimensions:

Dimensions are in mm



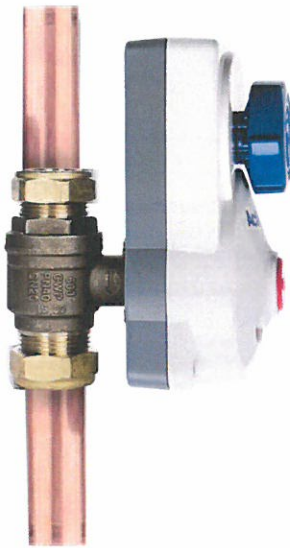
Dimensions and specifications may change at any time without notice.

Activolve®

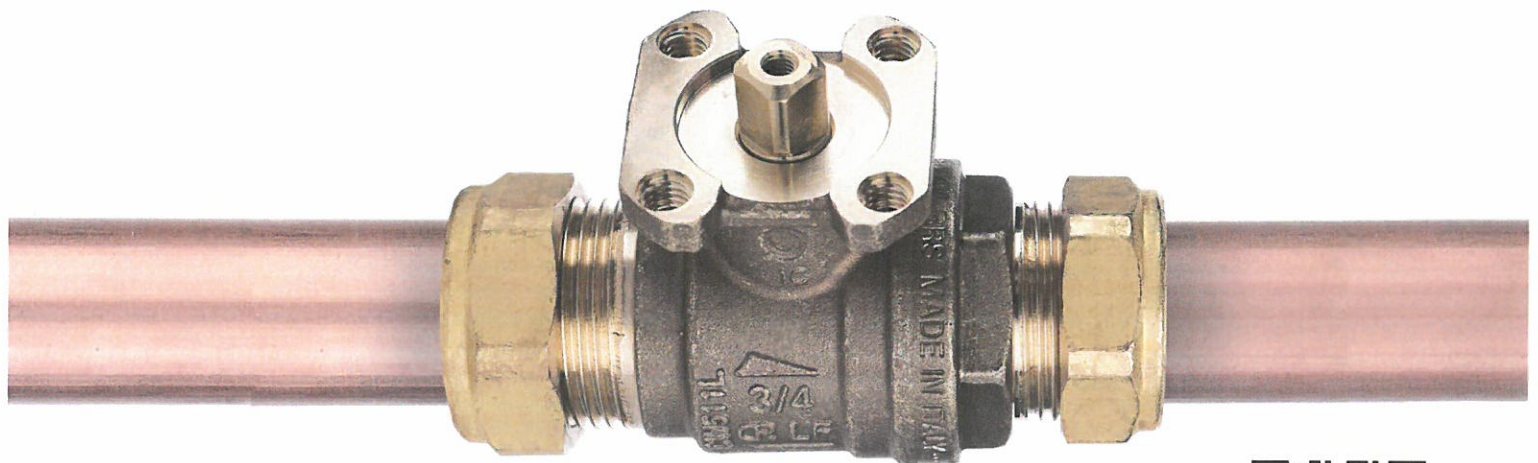
Auto Water Shut-off

Automatic water supply device

ADVANTAGES:



- **Efficient:** in the event of failure or maintenance of the system, **you can immediately turn the main water supply off with a simple push of the button**, limiting water waste and damage.
- **Prevents water damage associated with frozen pipes:** This product is specifically **designed to reduce the risk of water damage due to water leakages from ruptured pipes during** excessive low temperatures. The **Activolve** thermal sensor is calibrated to **automatically shut off the main water supply at a temperature around 8°C thus preventing any significant water damage when water pipes have been compromised.**
- **No Power required:** **No electricity or battery** needed. You can forget about replacing batteries or call the electrician for wiring it up as it is mechanical and completely automatic.
- **Easy installation:** The **RUB s.468** valve can easily replace the existing valve, so the installation is extremely easy even in **preexisting installations.**
- **Affordable Price:** highly competitive compared to electric/electronic devices and systems currently on the market. Competitive devices typically have a higher price along with a difficult and more expensive installation.



Use this QR code and watch
how ACTIVALVE works



THE ADVANTAGES OF **Activolve**[®] Auto Water Shut-off

FUNCTIONS

Immediate shut-off of house mains water supply.



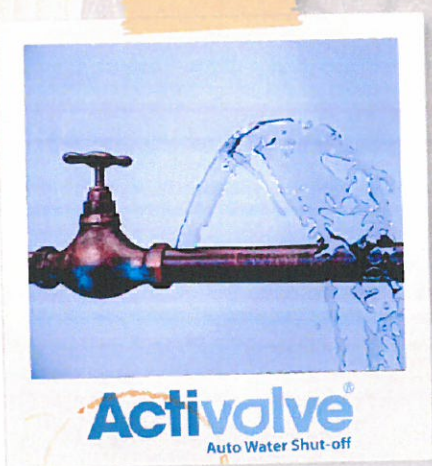
ADVANTAGES

Often the main water supply valve is installed in restricted spaces or we don't even know where it is located. Even more often, the valve is "blocked" or in a location that is impossible to operate. Of course, we usually discover this situation once we are in an emergency such as when there is a pipe rupture and we need to act immediately.

With a simple push button activation, **Activolve** shuts off the main water supply instantly:

- In case of pipe rupture, **it significantly limits potential water damage**
- In case of maintenance on the house water supply system, it allows quick water main shut off so that **maintenance operations** can proceed **immediately**, (and without extra time charges on the plumber's bill!)

Automatic shut-off in case of excess low temperatures



It is important to have **Activolve** in every home, particularly when on vacation or if you leave your property for long periods of time such as cabins or 2nd homes which are only lived in for certain periods of the year.

If the temperature lowers to about 8°C **Activolve** automatically shuts off the main water supply **preventing** continuous water flow that could damage important possessions and valuables.

Water damage can be as devastating as a house fire.

THE ADVANTAGES OF **Activolve**[®] Auto Water Shut-off

FUNCTIONS

ADVANTAGES

Continuous operation



Activolve[®]
Auto Water Shut-off

Activolve[®] does not require any electricity or batteries, as it is a mechanical design and completely manual. Even in case of power outages, operation is still **guaranteed**.

Users health safety



Activolve[®]
Auto Water Shut-off

Activolve[®] Valve is manufactured with lead-free and dezincification resistant brass, and meets safe drinking water regulations. Approvals pending.

Easy installation



Activolve[®]
Auto Water Shut-off

The compression ends of the valve makes for really **easy and fast installation of Activolve**[®] in pre-existing valve situations.



ActiValve[®]

Auto Water Shut-off





VALVES & ACTUATORS



RUBINETTERIE UTENSILERIE BONOMI

Via Padana Superiore, 27/29 25080 Mazzano (BS) - Italy
Telefono: (+39) 030 212441 - Fax:(+39) 030 2629498
sales@rubvalves.com - www.rubvalves.com - www.rubpeoplethinklean.com



RUB Inc.

4401 Dean Lakes Blvd. - Shakopee, MN 55379-2715 (USA)
Phone: +1 (952) 857 1114 - Fax: +1 (952) 857 1118
sales@rubinc.com - www.rubinc.com



RUB kk

NK Uchi-Kanda Building, 3rd Floor - 1-14-5 Uchi-Kanda, Chiyoda-ku 101-0047 Tokyo Japan
Phone: +81 (80) 96401122 - Fax: +81 422 36 3639
sales@rubkk.jp - www.rubkk.jp



The company reserves all rights for the information contained herein. Information may change at any time without notice. Unless otherwise noted, standards and codes are to be interpreted as referring to the latest edition. **RuB** and logo are registered trademarks of **RuB - RUBINETTERIE UTENSILERIE BONOMI**. Other logos are property of respective owners.



Use this QR code and visit
OUR WEB SITE

