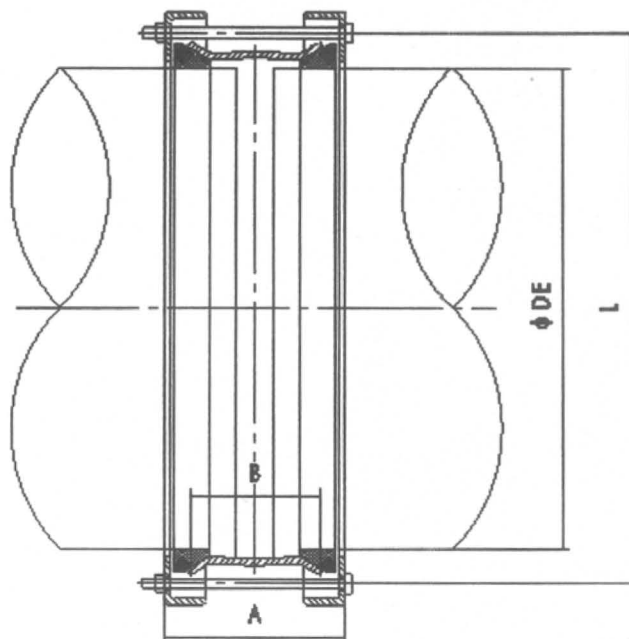


TECHNICAL INFORMATION FOR MAXIFIT COUPLINGS.



DATE: 15 DEC., 2006

SIZE	DN(mm)	EXTERNAL DN(mm)RANGE	DIMENSIONS			BOLTS(CLASS 8.8) NO.-DIAXLENGTH(mm)	GASKETS	WEIGHT(KG)
			A	B	L			
1-1/2"	40	48-58	150	95	104	2-M12X160	EPDM	3.0
2"	50	59-73	150	100	125	2-M12X200	EPDM	3.55
2-1/2"	65	72-85	150	100	136	2-M12X200	EPDM	4.50
3"	80	88-103	150	100	151	2-M12X200	EPDM	4.96
4"	100	108-128	150	100	176	2-M12X200	EPDM	5.71
5"	125	132-154	150	100	210	2-M12X200	EPDM	7.50
6"	150	159-182	150	100	242	2-M12X200	EPDM	8.92
7"	175	192-209	150	100	270	2-M12X200	EPDM	9.70
8"	200	218-235	150	100	288	2-M12X200	EPDM	10
10"	250	271-289	200	150	350	2-M12X200	EPDM	15.40
12"	300	322-340	200	150	402	2-M12X200	EPDM	17
14"	350	374-391	200	150	460	2-M12X260	EPDM	27.10
16"	400	417-437	200	150	497	2-M12X260	EPDM	26.90
18"	450	480-500	200	150	562	2-M12X260	EPDM	31.80
20"	500	526-546	200	150	608	2-M12X260	EPDM	40
24"	600	630-650	200	150	712	2-M12X260	EPDM	44.10