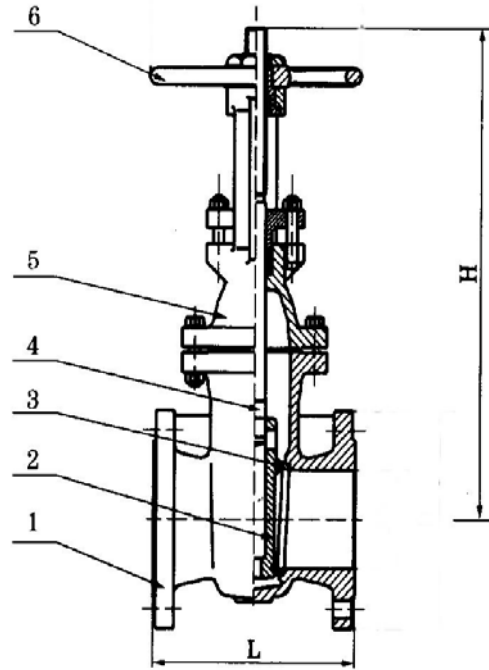


Cast iron wedge gate valve Rising stem Flat body, PN16, F4



Parts

| No. | Parts name | Material |
|-----|------------|-----------------|
| 1 | Body | Cast iron GG25 |
| 2 | Wedge | Cast iron GG25 |
| 3 | Seat | Brass |
| 4 | Stem | Stainless steel |
| 5 | Bonnet | Cast iron GG25 |
| 6 | Handwheel | Cast iron GG25 |

Test

| |
|---------------------------|
| Nominal pressure : 16 Bar |
| Shell pressure: 24 Bar |
| Seat pressure: 17.6 Bar |

Design

| | |
|---|---|
| 1 | DESIGN ACCORDING TO DIN 3352 PART 4 |
| 2 | OVERALL LENGTH TO DIN 3202 PART 1, F4 |
| 3 | Internal and external coating by Fluid epoxy painting, which can be suitable for potable water. |

Dimension

in mm

| Nominal Diam | L | H | Dimention of Flange | | | | Unit weight (Kgs) |
|--------------|-----|------|---------------------|--------------|--------------|--------|----------------------|
| | | | Dia. of flange | Nos. of hole | Dia. of hole | P.C.D. | |
| DN40 | 140 | 320 | 150 | 4 | 18 | 110 | 16 |
| DN50 | 150 | 345 | 165 | 4 | 18 | 125 | 19 |
| DN65 | 170 | 412 | 185 | 4 | 18 | 145 | 22 |
| DN80 | 180 | 510 | 200 | 4 / 8 | 18 / 18 | 160 | 28 |
| DN100 | 190 | 580 | 220 | 8 | 18 | 180 | 35 |
| DN125 | 200 | 660 | 250 | 8 | 18 | 210 | 51 |
| DN150 | 210 | 750 | 285 | 8 | 22 | 240 | 65 |
| DN200 | 230 | 960 | 340 | 12 | 26 | 295 | 98 |
| DN250 | 250 | 1100 | 405 | 12 | 26 | 355 | 155 |
| DN300 | 270 | 1250 | 460 | 12 | 26 | 410 | 205 |