

**PROINVAL GATE VALVE RISING STEM
METAL/METAL NP 16 FLANGED DIN NP 10 / 16**

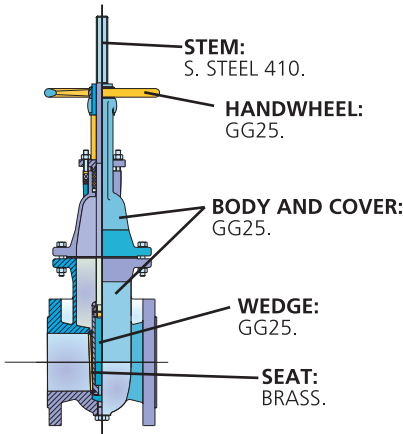
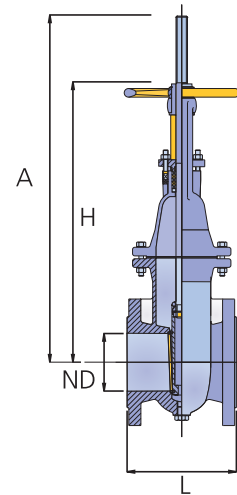
BVP-75 HA

The metal/metal Proinval gate valves BVP-75HA are designed and manufactured to satisfy needs in various fields as water conveyance, fire protection, irrigation, etc.



RANGE: from ND 40 to ND 350.
WORKING PRESSURE: 16 BAR.
FACE TO FACE LENGTH: DIN 3202 - F4 (ND 40 a ND 300).
 DIN 3202 - F5 (ND 350).
FLANGES: DIN NP10 / 16.
COATING: EPOXY 150µm.

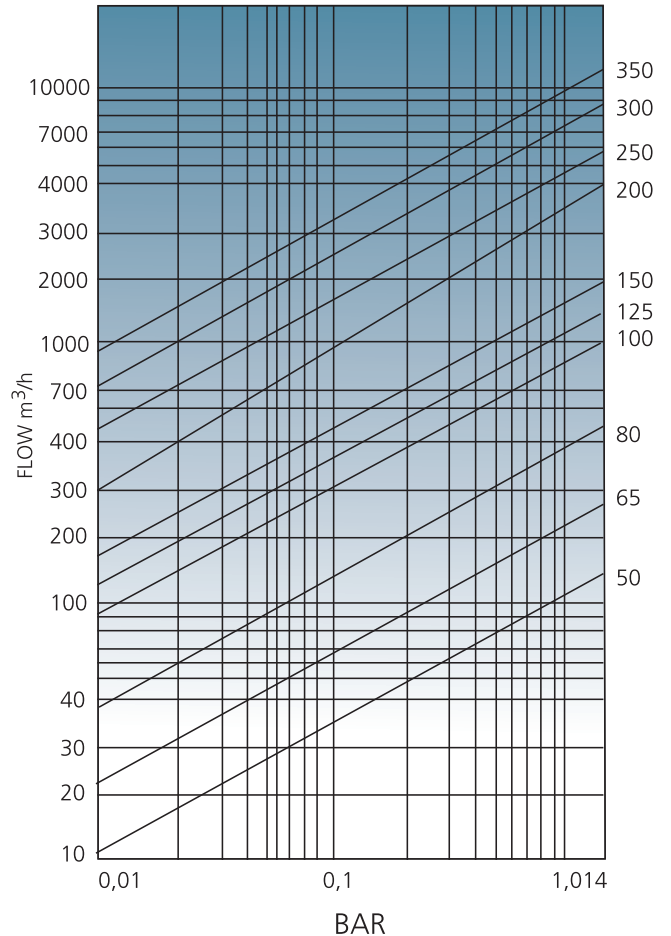
ND	H	A	L	Kgs.
40	294	352	140	13
50	317	382	150	15
65	366	444	170	18
80	412	508	180	21
100	486	602	190	27,5
125	590	730	200	40
150	650	815	210	50
200	755	975	230	79
250	910	1185	250	138
300	1128	1450	270	180
350	1278	1650	300	300



GENERAL CHARACTERISTICS:

- Low head loss.
- Operating temperatures: 0°C +125°C.
- Apt to work with hot/cold water, air, oils and other non aggressive fluids.
- Total Tightness in both way.
- Mounting for horizontal or vertical position.
- Epoxy painted 150 µm.

HEAD LOSS



CHRYSSAFIDIS

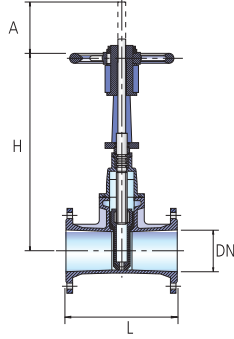


www.proinval.eu



BVP-70 HA

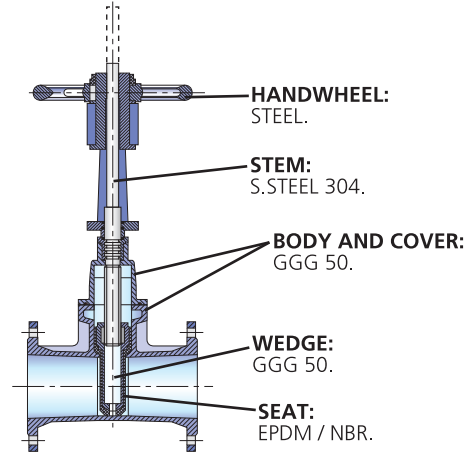
PROINVAL GATE VALVE RISING STEM RESILIENT SEAL NP 10 / 16 / 25 FLANGED DIN NP 10 / 16 / 25



Proinval resilient seat gate valve BVP 70, made of ductile iron GGG50 was designed and elaborated to satisfy needs in various fields as supplying, pumping, service of drinking water, treatment, pumping of dirty waters, irrigation, hydraulic or public works...

RANGE: from ND 40 to ND 600.
WORKING PRESSURE: NP 16 / 25 BAR.
FACE TO FACE LENGTH: DIN 3202 - F4 (NP 16) / F5 (NP 25).
FLANGED: DIN NP10 / 16 / 25.
COATING: EPOXY 250µm.

ND	H	A	L		Kgs.	
			NP16 F4	NP25 F5	NP16 F4	NP25 F5
50	320	55	150	240	15	16,5
65	370	70	170	250	18	19,8
80	405	85	180	270	21	23
100	460	105	190	280	27,5	30
125	625	130	200	300	40	44
150	675	155	210	325	50	55
200	805	205	230	350	79	87
250	965	255	250	400	138	141
300	1060	305	270	450	180	198
350	1060	305	290	500	180	231
400	1100	350	310	550	200	330
450	1100	350	330	600	200	440
500	1170	400	350	700	250	555
600	1250	400	390	800	320	665



GENERAL CHARACTERISTICS:

- Total Tightness.
- The design at the bottom of the valve is tubular.
- The full bore of the valve, without cavity and closing groove at the bottom avoid turbulences and head loss.
- During the closing operation, the VENTURI effect cleans the botom of the valve.
- Repackable under pipeline pressure.
- Reduced external dimensions.
- Minimum weight.
- Low torque values.
- Mounting for horizontal or vertical position.
- Operating temperatures: -10°C +80°C.



STEM DETAIL

